



Portable generators Generadores portátiles



We invite you to read
the user manual before
operating your equipment.

Lo invitamos a leer el manual
del usuario antes de operar
su equipo.

KN GEN-30 (3,000 W)

KN GEN-65 (6,500 W)

KN GEN-80 (8,000 W)

Herramientas para siempre.

Index	1	Operation method	6
Foreward	1	Transporting	8
Safety precautions	1	Accessories installation	8
Safety regulations.....	1	Powers of common appliances	9
Glossaries	3	Maintenance	10
Parameters	4	Electrical schematic diagram	13
Description of spare parts	4		

FOREWARD

Thank you for purchasing a generator. This air cooling device, powered by gasoline engine, is a household generator of compact structure and high performance. It is applicable to the situation of no electricity supply or sudden electricity cut. We recommend that the operator read this manual carefully before use this generator, and fully comprehend all requirements and operating procedure concerning the generator. In case of any questions about this manual, contact the recent authorized dealer for startup, operation, maintenance program and so on. The technician will teach you how to use the generator in a correct and safe manner. We also recommend that the operator consult startup and operating procedure of this generator when buying it.

SAFETY PRECAUTIONS

This generator will work in a safe, effective and reliable way only when it is kept, operated and maintained properly. Before operation or maintenance of the generator, the operator should:

- Know well and strictly observe local laws and regulations.
- Read and observe all safety warnings in this manual and on the device.
- Let your family get familiar with all safety warnings in this manual.

It is impossible for manufacturers to predict all hazardous circumstances that may occur, for this reason, warnings in this manual and caution signs on the generator set may not cover all hazardous circumstances. If we do not give extra cautions for operating procedures, methods or techniques, operate the generator in such ways that helps guarantee personal safety, make sure no damage to generator set arises there from.

To make sure safe operation, Please read carefully three vital safety warnings in this manual and on the generator, preceded by a safety alert symbol & including:

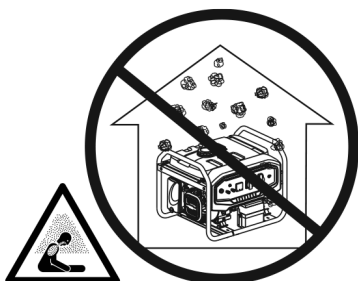
DANGER You WILL be KILLED or SERIOUSLY HURT if you don't follow instructions.

CAUTION You CAN be HURT if you don't follow instructions.

WARNING You WILL be KILLED or SERIOUSLY HURT if you don't follow instructions.

NOTICE Your generator or other property could be damaged if you don't follow instructions.

SAFETY REGULATIONS



DANGER
Do not use it indoors.



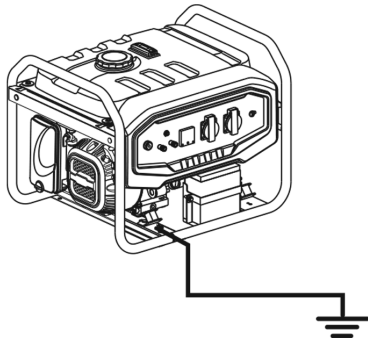
WARNING
Do not use it in a wet conditio



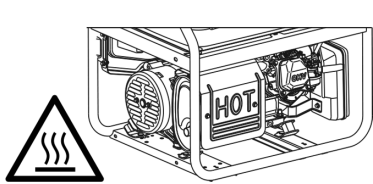
DANGER
Keep the machine clean and avoid spilt combustibles including gasoline on it.



WARNING
Do not connect to a home power system.



WARNING
It must realize safe grounding.



WARNING
The generator surface has high temperature, avoid scalding. Pay attention to the warnings on the generating set.

DANGER
General safety information

- Operator should put on personal protective equipment during operation and maintenance.
- The installation and major repair work shall be carried out only by specifically trained personnel.
- Do not use the generator underground.
- Do not use the generator under an explosive condition.

DANGER
The generator produces enough electric power to cause a serious shock or electrocution if misused.

- It is prohibited to use bare wire to connect power supply to the electric equipment directly, use the plug that fits local regulations.
- In equipment operation, do not touch wire or live parts of the equipment. Never touch the machine with wet hands or electrical shock will occur.
- In equipment operation, keep children certain safe distance from the generator.
- In equipment operation, strictly prohibit assembling and disassembling any parts.
- It is suggested to realize tandem connection of a ground fault circuit interrupter (GFCI) when the power supply is out to guarantee safety.
- External electric accessory (including cable and plug interconnecting piece) shall have no fault. Electric shock defend depends on the breaker, especially the matching between breaker and generator. During replacement of the breaker, only that with the same rating and performance features can be adopted. Contact local dealers or the after-sales service center for support.
- In case of using lengthening wire or mobile power distribution cabinet, overall length of the wire with cross section of 1.5mm² shall be no longer than 60 m, and that of 2.5mm² shall be no longer than 100 m.
- Avoid connecting the generator in parallel with any other generator.

DANGER
Fuel of the machine is flammable, which will generate high temperature and easily cause fire during operation.

- It is strictly prohibited to add fuel during equipment operation.
- In case of adding fuel, keep far away from tire brand, no smoking.
- In case of adding fuel, do not spill fuel on the equipment.
- As to accidental spilling, use cotton cloth to clean it. Start the equipment after spilt fuel evaporates completely.
- In operation, make sure that there is no flammable substance within 2 meter range, and no flammable any flammable materials near the exhaust outlet during operation.
- In case of long-term nonuse, take out the fuel from fuel tank and store it safely.
- If you swallow any fuel, inhale fuel vapor, or allow any to get in your eyes, see your doctor immediately. If any fuel spills on your skin or clothing, immediately wash with soap and water and change your clothes.
- When operating or transporting the machine, be sure it is kept upright. If it tilts, fuel may leak from the carburetor or fuel tank.
- Do not throw the residue fuel and used motor oil into the trash or pour it onto the ground. We suggest you take used oil in a sealed container to your local recycling center or service station for reclamation.

CAUTION
This equipment contains high speed revolving parts, which will harm human body.

- In equipment operation, do not approach it and strictly prohibit touching revolving parts.
- In equipment operation, do not lift or move it. Move it only after equipment completely stopped.
- In equipment operation, observe surroundings. Make sure no articles are involved into the equipment.

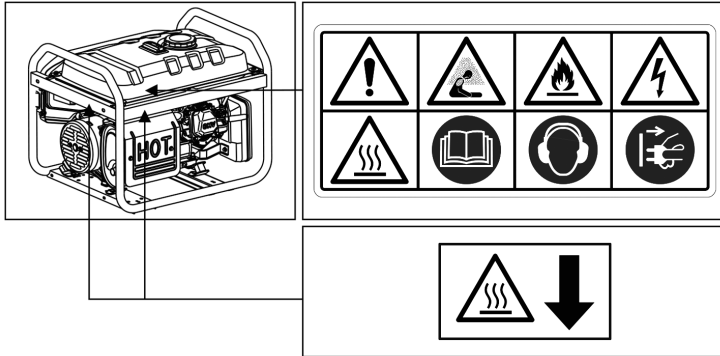
NOTICE Operating requirements

- Do not place heavy weight on the equipment.
- The wheel is for easy moving of the equipment. Do not use it for long distance moving, otherwise it will be damaged.
- Do not exceed rated power of the equipment in operation; otherwise, its service life will be shortened. Power of common household appliances is shown on Page 9, 10 in details.
- Please maintain the equipment according to the requirements so as to prolong its service life. Refer to Page 10 for details.
- Prevent duct from entering into the equipment during operation or storage.

WARNING

- A warning reminding the user that he shall conform to regulations of electrical safety applicable to the place where the generating sets are used.
- A warning on the requirements and the precautions to be respected by the user in the case of re-supply by generating sets of an installation, depending on existing protective measures in this installation and applicable regulations.

There is the warning label on the machine to remind you of the safety regulations.

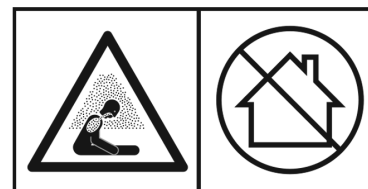


Read the safety instructions before using the generator.



Only fill the generator in well-ventilated areas and keep it away from open flames, sparks and cigarettes. Spilled fuel should be soaked up immediately.

Switch off the engine and let it cool down before filling the generator. Fuel is easily flammable and may even explode under certain circumstances.



Gases such as carbon monoxide (colorless and odorless gas) are produced during operation which may lead to suffocation. Only use the generator in well-ventilated areas.

GLOSSARIES

Glossaries

Following symbols are quoted on the machine or in this manual. Please understand their meaning, which will make your operation easier and safer.

Symbol	Name	Meaning
V	Volt	Voltage
A	Ampere	Current
Hz	Hertz	Frequency (1Hz=60 r/min)
W	Watt	Power
RPM	Revolutions per minutes	Engine speed
PF	Power factor	Load transfer efficiency
G1	Performance rate	Generator output power performance rate meet ISO8528G1
	Read instructions	Please read instructions carefully before use
	Safety warning	Can be hurt if not follow instructions
	Electric risk	Indication of electrified body. Pay attention to safety

Symbol	Name	Meaning
	Toxic gas	Exhaust from the equipment contains CO, which is invisible and in odorous. Excessive suction of CO may make human lose consciousness and lead to death in serious situation.
	Electric shock	This is electric device. You may suffer electric shock if you don't follow the instructions.
	Electriferous, no touching	The device is electriferous. No touching during operation.
	Fire	Fuel and high temperature generated during operation may cause fire. Operate it cautiously.
	Scalding	Some parts of equipment will generate high temperature during operation, which will scald skin.
	Grounding symbol	Make the machine realize safe grounding before use
	No raning	Do not use the plug or electric device in the rain or make them get wet.
	Engine oil	Symbol of adding the engine oil and the specification is specified on Page 6.
	Fuel	Symbol of adding the fuel, which must be gasoline.

Parameters

Model	KN GEN-30	KN GEN-65	KN GEN-80
AC output			
Frequency	50 / 60Hz (subject to the parameter label on the equipment)		
Voltage	110/115V / 120/220V / 230V/240V (subject to the parameter label on the equipment)		
Rated power (kW) ◆	2.3 / 2.5 †	5.0	6.0 / 6.5 †
Max. power (kW) ●	2.5 / 2.8 †	5.5	6.5 / 7.0 †
Engine			
Specification	Single cylinder, forced air cooling, 4 strokes		
Rpm	3,000(50Hz) / 3,600(60Hz) (subject to the parameter label on the equipment)		
Fuel	Gasoline		
Engine oil capacity	0.6 L	1.1 L	1.1 L
Spark plug type	F7TC / F7RTC (N9YC / RN9YC)		
Spark plug clearance	0.7 mm		
Valve clearance (inlet/outlet)	0.10 / 0.15 mm		
Igniting mode	T.C.I.		
Starting mode	Recoil start / Electric start		
Displacement	196 cc	389 cc	420 cc
Weight (only for reference)			
Net weight	46 / 48 kg *	79 / 81 kg *	83 / 85 kg *
Overall dimensions (excluding packing box)			
L x W x H (mm)	590 x 475 x 462	681 x 546 x 550	681 x 546 x 550
Capacity of fuel tank	15 L	25 L	25 L
Noise (according to European Directive 2000/14/EC with amendment 2005/88/EC)			
Measured sound pressure level	74 dB (A)	75 dB (A)	75 dB (A)
Measured sound power level	94 dB (A)	95 dB (A)	95 dB (A)
Uncertainty	2 dB (A)	2 dB (A)	2 dB (A)
Guaranteed sound power level	96 dB (A)	97 dB (A)	97 dB (A)

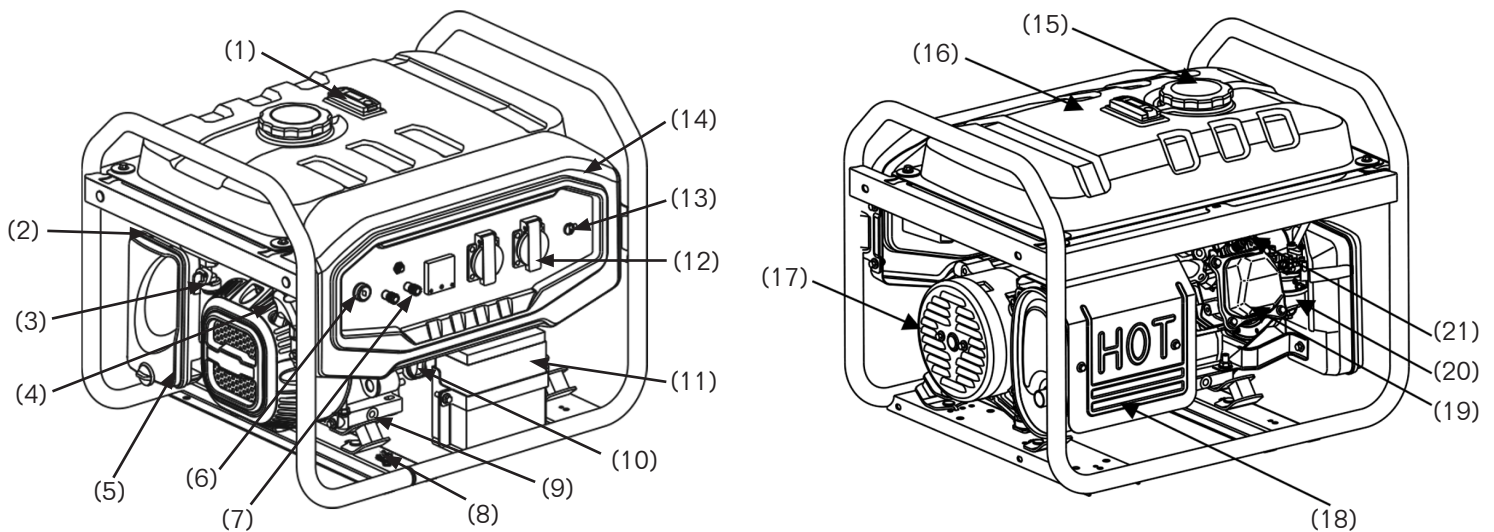
◆ For continuous operation, do not exceed the rated power.

● Limit operation requiring maximum power to 30 minutes.

† 2.8/3.0 means: 2.8kW with 50Hz, 3.0kW with 60Hz.

* 37/39kg means: The net weight is 37Kg for recoil start. The net weight is 39Kg for electric start.

DESCRIPTION OF SPARE PARTS



DESCRIPTION OF SPARE PARTS

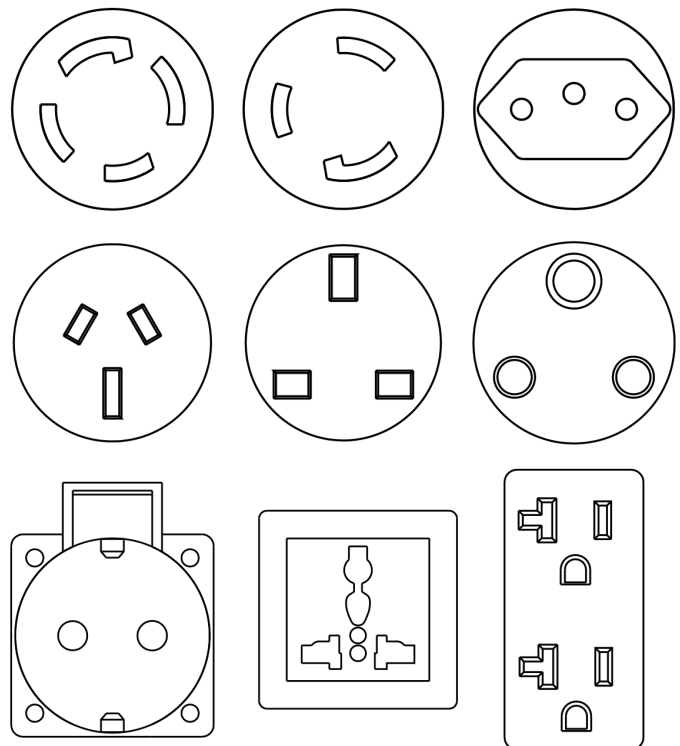


- | | | | | |
|----------------------|---------------------|-------------------------|-----------------------|---------------------------|
| (1) Fuel gauge | (5) Air cleaner | (9) Oil drain bolt | (13) Output indicator | (17) Cover, generator end |
| (2) Chock valve | (6) Engine switch | (10) Oil filter cap | (14) Panel seat | (18) Muffler |
| (3) Fuel valve lever | (7) DC output | (11) Battery (optional) | (15) Fuel tank cap | (19) Cylinder head |
| (4) Starter Grip | (8) Ground terminal | (12) AC output | (16) Fuel tank | (20) Carburetor |
| | | | | (21) Spark plug |

Fuel tank	It is used to hold fuel, gasoline is allowed only.
Fuel tank cap	Screw the fuel injection port in use and do not open it in equipment operation.
Fuel gauge	It is to indicate fuel level in the fuel tank.
AC output	AC output socket provides the power supply. Please refer to model's parameter table for its rated power. load of each socket cannot exceed its rated current, and total power of electric device cannot surpass rated power of the generator Do not start up several electric devices simultaneously, but switch on another one after stable operation of one electric device.
AC circuit breaker	It will break to protect the electric device when current is too heavy.
Output indicator	It is to indicate power supply status. The indicate will brighten up when the equipment operation.
DC output	The output DC is 12V with maximum of 8.3A. It is only used for automotive battery charging with rated 12V. Pay attention to connecting the positive and negative electrode correctly.
Engine switch	It is to start up (applicable to electrical starting only) and switch off engine. Turn to the off state in nonuse.
Wheel (optional)	It is for moving the generator in a short time.
Battery (optional)	It is for starting up the generator. In case of nonuse for three months, charge it.
Oil filler cap	It is for measurement of engine's oil level. Make sure engine's oil level is between MIN and MAX in the dipstick of oil filler cap before use. Oil can be added after removing the oil filler cap.
Oil drain bolt	Unscrew this bolt when replacing the engine oil. Drain out the old engine oil and dispose of it properly according to local laws, avoiding damage to the environment.
Foot	It is to support the generator.
Grounding terminal	It is to make the generator realize safe grounding. As to the grounding method, refer to the page 6. Make sure unobstructed grounding before use.
Handrail pipe	After lifted up, the pipe, with self-locking structure, can be used to move the generator.
Starter grip	It is to start up the engine. For the method, refer to the page 7.

Air cleaner	It is to filter air and remove impurities in the air entering cylinder. As to the maintenance method, refer to page 10.
Fuel switch	It is to control fuel's entering into the engine via fuel tank During nonuse of generator, leave the switch off.
Choke valve	It is to control air flow into the cylinder when starting up the engine. As to the operating method, refer to the page 7.
Muffler	It is to eliminate noise during equipment operation, and discharge high temperature exhaust of engine's combustion. Do not touch it to avoid scalding.

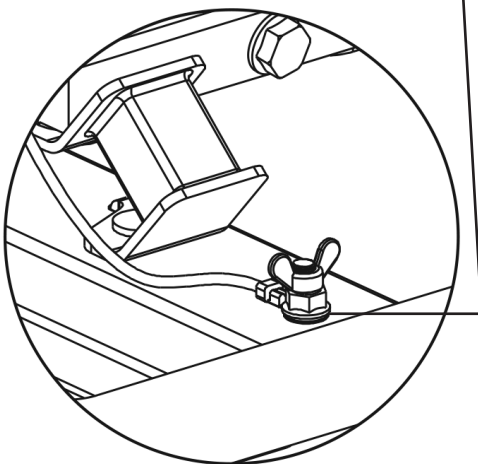
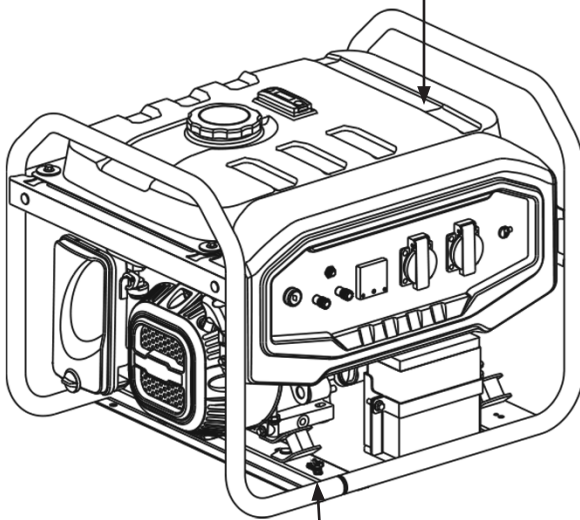
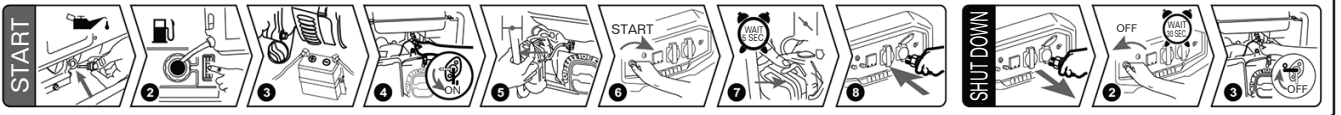
Sockets can be following patterns according to relevant regulations in various areas:



WARNING

When the rated current from one socket output more than the socket's nominal rated current, you should to use simultaneously two or more sockets for power output.

READ MANUAL BEFORE OPERATING GENERATOR!

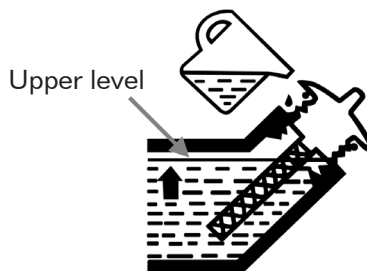
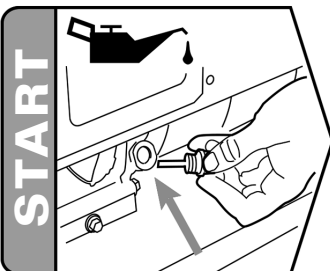


• Unit grounding

Shift the machina outdoors, use wire of no less than 2.5 mm² to make the machina and grounding terminal connected to the ground. One end of the wire is pressed below the butterfly nut of the unit, screwed up tightly, and the other end is connected with the metal rod shape article (such as the iron nail and the opener), and inserted into soil.

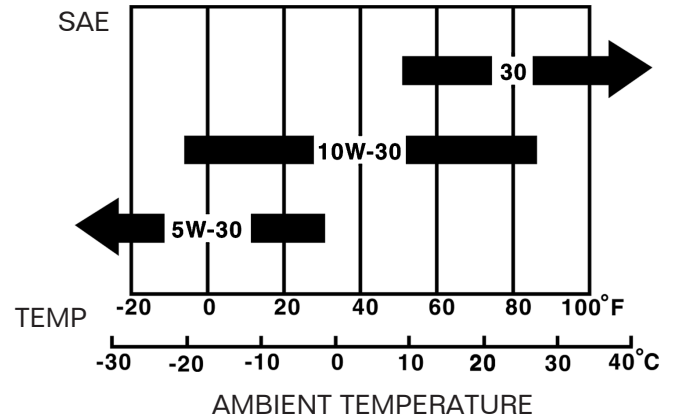
• Starting the generator set

Filling oil

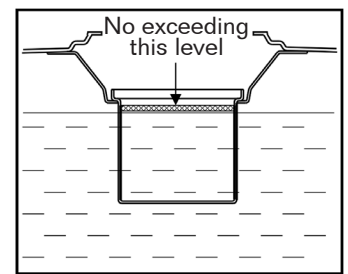
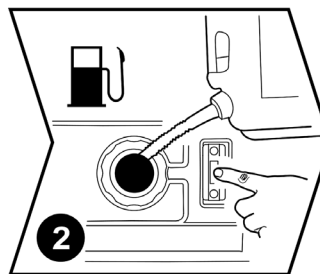


Remove the oil filler cap, fill oil of proper model. As to dosage, refer to Page 4. Use the funnel far filling, in case of careless spilling, clean the ground to avoid slipping.

Oil specification table



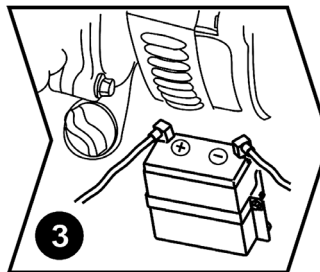
Filling fuel



Open the fuel tank cap and fill gasoline, the fuel leveler's position will display gasoline mass in the fuel tank and take care the maximum fuel position shall not exceed the inner strainer of the tank when filling.

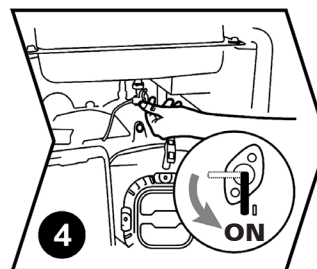
WARNING Keep away from the fire source and heat source when filling; do not fill gasoline when be operating.

Connect electric battery (electric start only)



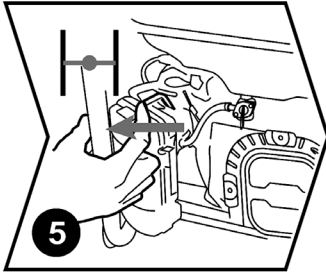
Connect the storage battery wire to the storage battery, red for positive electrode and green for the negative electrode, and make sure screwing the nut tightly. Not contact between positive electrode to negative electrode to avoid short circuit. After connection, metal parts of two pieces of wire shall keep at least 15 mm safety distance, and be protected by rubber cover.

Turn on the fuel valve lever



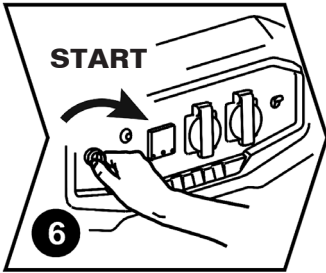
Turn the fuel valve lever to ON and let the fuel flow into the carburetor.

Close the choke valve



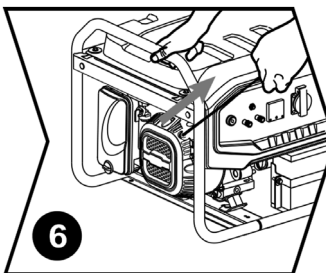
When the unit is in cold state, move the choke valve to the full closed position, and half closed position in thermal state. If the generator unit is not started for two times in succession, move the choke valve to the open position and then to operate the switch or hand-pull starter.

Start the generator



Turn the engine switch on the control panel to ON. Or press it to START if it's electrical start state, then generator unit can be started. In order to extend the service life of the storage battery, do not press on the switch for more than 3 seconds and the interval between two pressing should be longer than 10 seconds.

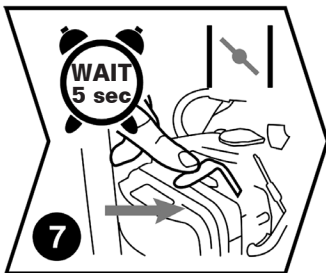
Start the generator recoil start



Start via the pull wire: Pull the wire gently to connect the disc to the starting bowl inside the unit. Pull the wire out in an instant action and the generator unit will be started after doing this twice. If it is not started, please conduct the above operation with the choke valve.

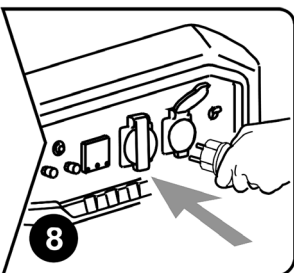
WARNING It may be causing the dangers of injury by the sudden change of rotation direction of the engine during operating the recoil starter.

Open the choke valve



After starting, let the unit run without load for 5 seconds and then turn on the choke valve switch.

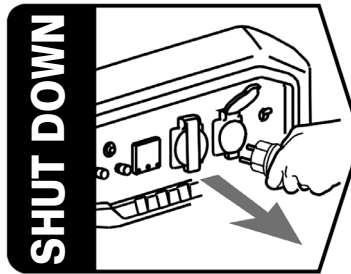
Connect to load



Access electric equipment and turn the circuit breaker to ON. Please note that when several loads are used at the same time, do not access the next one unless the former one is running normally. The total power of the loads should not exceed the rated power of the unit.

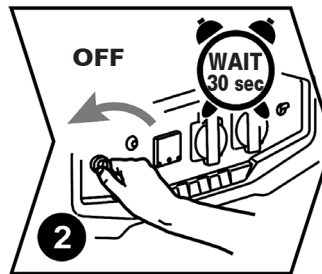
Shut down the engine

Connect to load



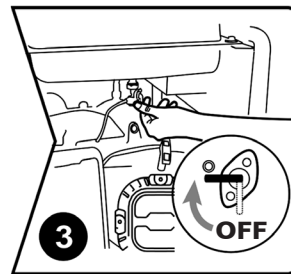
Disconnect the electric equipment from the control panel of the generator.

Turn off the engine switch



After 30 seconds of no-load running, turn off the engine switch and the generator unit will be shut down immediately.

Close the fuel valve lever

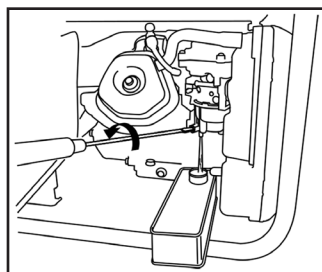


Turn off fuel valve lever after the shutdown of the unit.

WARNING The surface temperature of the generator unit is still high after shutdown, and it can not be moved or operated before cooling down in order to avoid scalding.

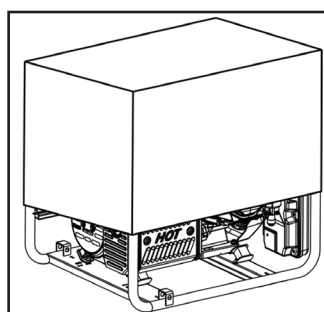
Storage

Drain the fuel



Remove the oil draining bolt of the carburetor and drain the fuel from the fuel tank and carburetor. Then tighten the oil draining bolt again (if the fuel is not drained, the fuel will evaporate and flow into the air, and the residues may block the carburetor).

Protective treatment



The unit should be stored in a clean and dry place and should be protected from rain and high temperature. Shield the unit with paper box or plastic bag to prevent dust from entering the unit.

• Transporting

To prevent fuel spillage when transporting or during temporary storage, the generator should be secured upright in its normal operating position, with the engine switch OFF. The fuel valve lever should be turned OFF.



WARNING

When transporting the generator:

- Do not overfill the tank
- Do not operate the generator while it is on a vehicle. Take the generator off the vehicle and use it in a well ventilated place.
- Avoid a place exposed to direct sunlight when putting the generator on a vehicle. If the generator is left in an enclosed vehicle for many hours, high temperature inside the vehicle could cause fuel to vaporize resulting in a possible explosion.
- Do not drive on a rough road for an extended period with the generator on board. If you must transport the generator on a rough road, drain the fuel from the generator beforehand.

NOTE: To transport the generator, hold the holding part (shaded areas in the figure 1).

Take care not to drop or strike the generator when transporting.

Do not place heavy objects on the generator.

When transporting the generator by loading it on to a vehicle, secure to the generator frame as shown (see figure 2).

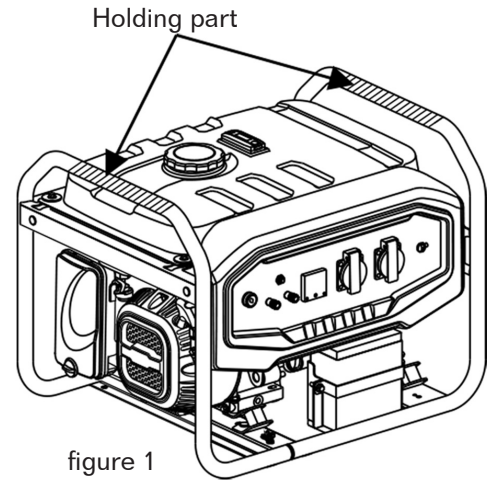


figure 1

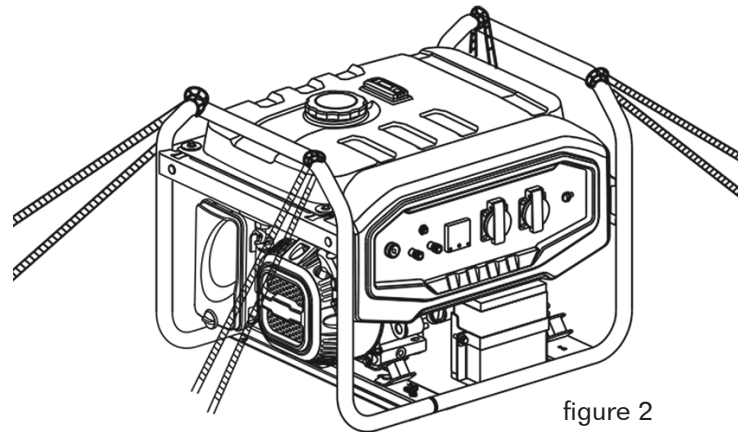


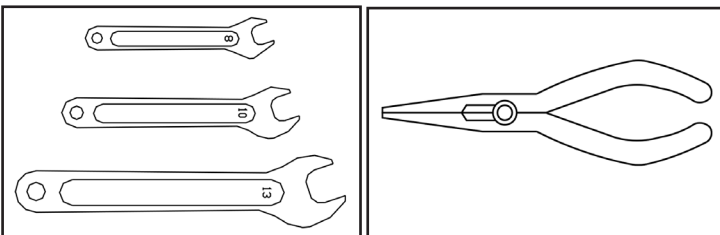
figure 2

ACCESSORIES INSTALLATION

• Accessories installation

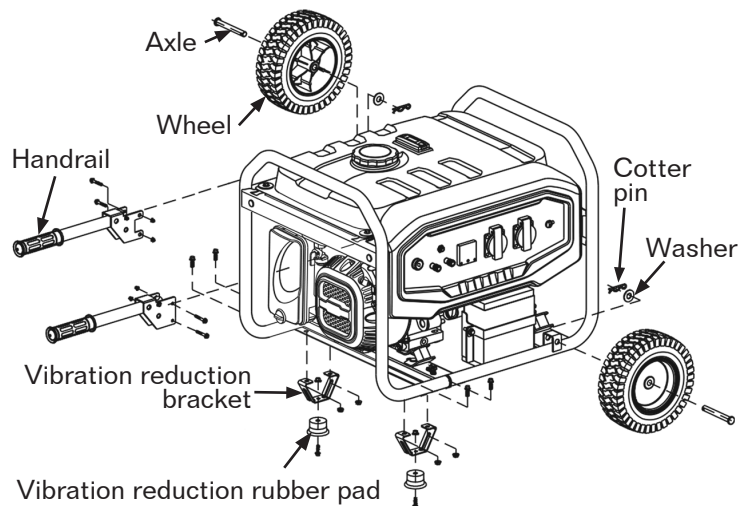
You can install the wheel assemblies for the convenience of moving the unit.

You may need to prepare the following equipment before the installation.



According to the different model configurations, there are several kinds of wheels. Please install the handrail, vibration reduction bracket and wheel on the base plate and tighten the bolt as shown in the following picture.

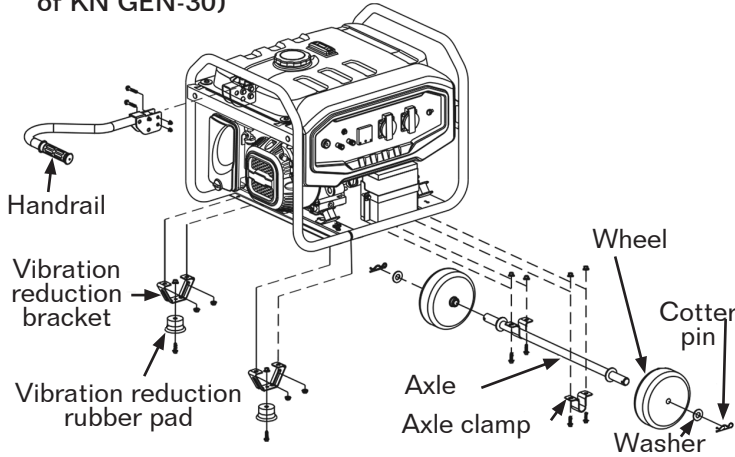
- Two-wheel short axle (applicable to generator units of KN GEN-30, KN GEN-65, KN GEN-80)



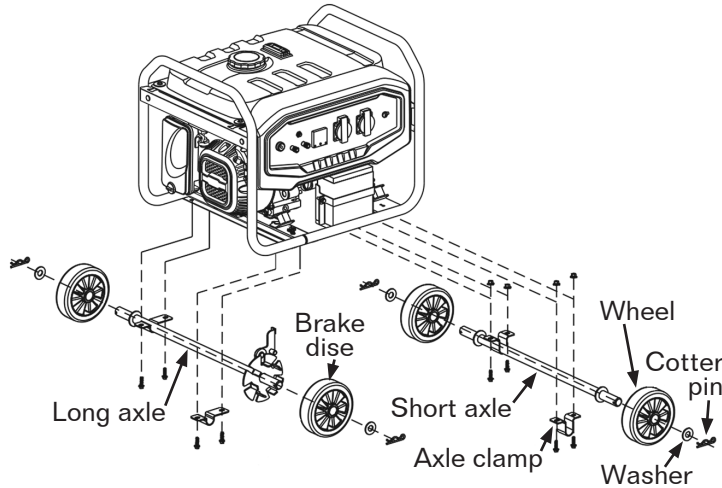
ACCESSORIES INSTALLATION



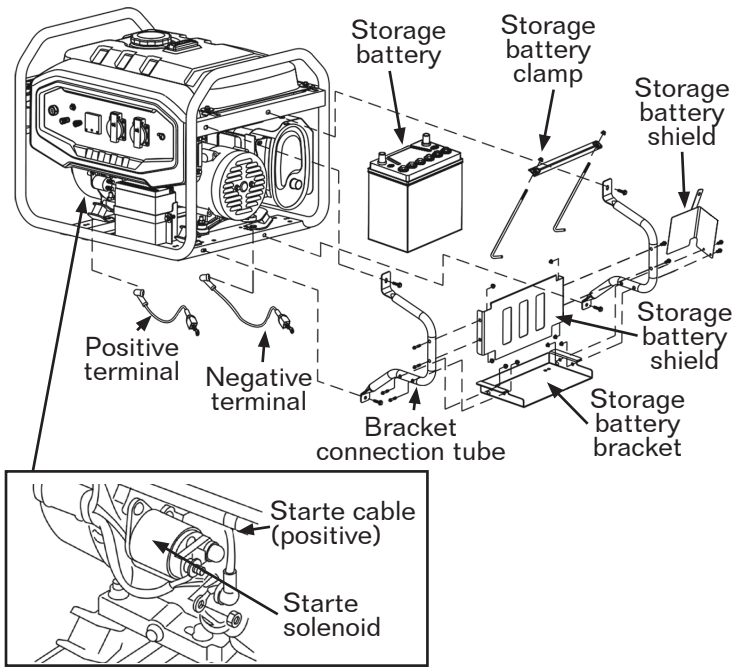
- Two-wheel long axle (applicable to generator units of KN GEN-30)



- Four-wheel long axle (applicable to generator units of KN GEN-65, KN GEN-80)



Some of the units, which are of the electrical starting type, need to be equipped with external storage battery bracket. Please conduct the installation according to the following drawing.



Operating steps and installation instructions:

- 1 Install the positive terminal and negative terminal onto the generation unit as specified in the drawing.
- 2 Install the storage battery bracket onto the bracket connection tube.
- 3 Install the storage battery shield onto the bracket connection tube.
- 4 Install the assembled bracket onto the unit.
- 5 Put the storage battery into the bracket.
- 6 Hook the hook bolt to the hole of the bracket, and install it onto the storage battery clamp.
- 7 Tighten the bolt and install the storage battery onto the bracket.
- 8 Connect the storage battery wires and connect the negative one first. The connected terminals may be different as the models of the storage batteries are different. Take material object as.
- 9 Some storage batteries need to be filled with electrolyte before installation. Please read the specification of the storage battery carefully.

POWERS OF COMMON APPLIANCES

Electric equipment		Rated power (W)	Starting power (W)
Household appliances	Flat panel television 27"	120	120
	Energy saving lamp	5 ~ 50	5 ~ 50
	Electric cooker	1000	1000

Electric equipment		Rated power (W)	Starting power (W)
Household appliances	Computer	400	400
	DVD	100	100
	Refrigerator	50	300

Electric equipment		Rated power (W)	Starting power (W)
Household appliances	Washing machine	250	500
	Electric fan	50	100
	Air condition 2HP	1600	3200

Electric equipment		Rated power (W)	Starting power (W)
Tools	Electric welder	2500	5000
	Electric hammer	1000	1500
	Water pump	800	1200

The starting powers of the appliances are far more higher than the operation powers. Please read the labels of the electric equipment for reference. The total power of the loads should not exceed the rated power of the generator.

MAINTENANCE

Maintenance

Good maintenance is the best guarantee of safe, economical and fault-free operation. And it also contributes to environmental protection.

Maintenance schedule is as follows:

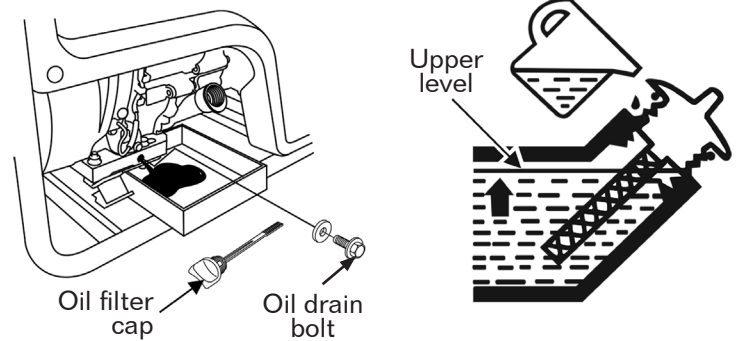
Schedule for regular maintenance		Per use	Every 20 hours or in the first month of initial use (3)	Every 50 hours or every 3 months (3)	Every 100 hours or every 6 months (3)	Every 300 hours or every year (3)
Engine oil	Inspect the oil level	○				
	Replace		○		○	
Air cleaner	Inspect	○				
	Clean			○ (1)		
Fuel switch sediment cup	Clean				○	
Spark plug	Clean				○	Replace
Valve clearance	Readjust					○ (2)
Cylinder head	Wash	Every 300 hours (2)				
Fuel tank and strainer	Wash	Every 2 years (2)				
Fuel tube	Replace	Every 2 years (2)				

(1) Maintenance should be conducted frequently if the unit is used in dusty places.

(2) Maintenance should be conducted by the franchised dealer.

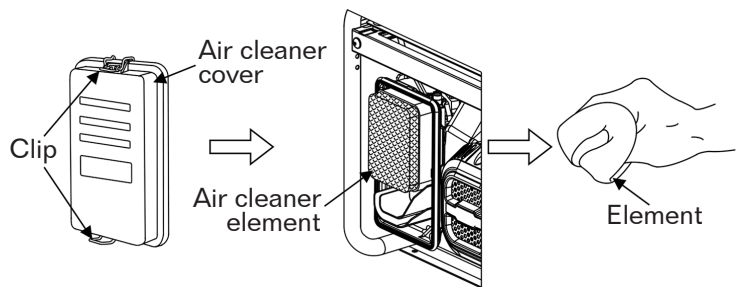
(3) When the unit is used frequently, please conduct the maintenance according to the above mentioned intervals so as to ensure the long-term usage of the generator.

• Replace the engine oil



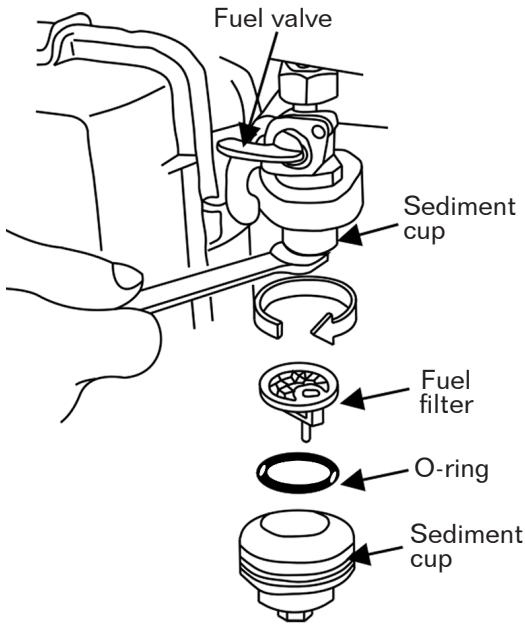
Remove the oil draining bolt and drain the long time stored oil. Tighten the oil draining bolt and twist off the oil dipstick. Fill in appropriate amount of oil via the oil dipstick and keep the oil lever between MIN and Max.

• Clean the air cleaner



- 1 Remove the clip of the air cleaner cover and open it.
- 2 Inspect the cleaner element and ensure that it is sound and clean.
- 3 If the foam cleaner element is dirty, spray some household cleaning agent onto the cleaner element. Scrub it for several minutes and rinse it with warm water. If the cleaner element is damaged, please replace a new one.

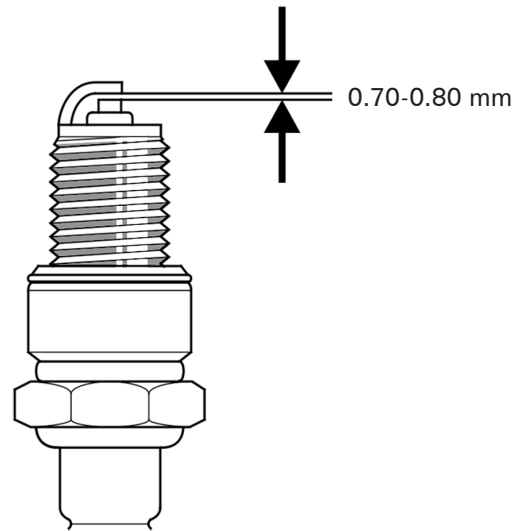
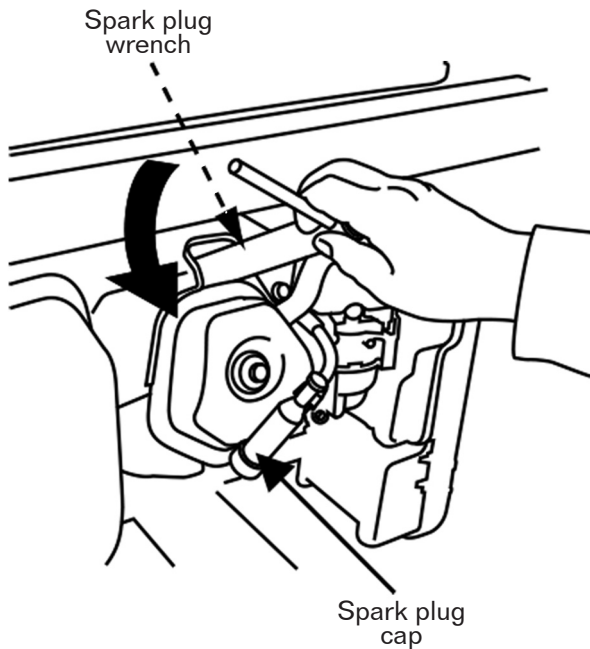
• Clean the fuel valve lever sediment cup



1. Close the fuel valve and remove the sediment bowl. Take out the O-type seal ring and strainer.
2. Clean the sediment bowl, O-type seal ring and strainer with incombustible or high-flash solvent.
3. Reinstall the O-type seal ring and strainer, and tighten the sediment bowl.
4. Open the fuel valve and inspect for leakage.

• Clean the spark plug

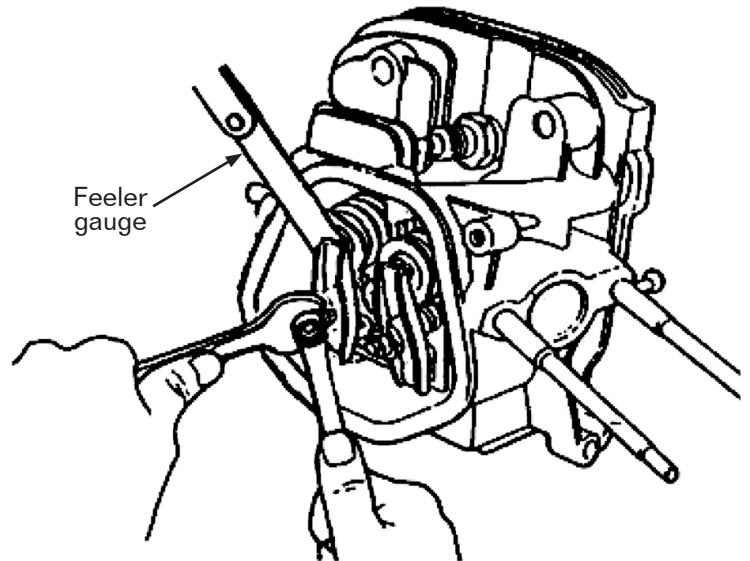
Recommended spark plug models F7RTC and F7TC



1. Remove the spark plug cap.
2. Clean the spark plug base.
3. Remove the spark plug with the spark plug socket spanner.
4. Open Inspect the spark plug insulator visually for damage. If it is damaged, replace a new one.
5. Measure the spark plug gap with a gap gauge. Twist the side electrode to adjust the gap. The gap should be kept between 0.70 and 0.80 mm.
6. Inspect if the washer of the spark plug is in good condition.
7. Reinstall the spark plug and tighten it with the spark plug socket spanner. Press down the washer of the spark plug and place the spark plug cap.

• Valve clearance

(should be conducted by a professional person)



Remove the cylinder head cover and measure the valve clearance with the feeler gauge. The clearances are 0.1 mm for the inlet valve and 0.15 mm for the outlet valve.

10,000-DC, 10,000D-DC: The clearances are 0.07 mm for the inlet valve and 0.10 mm for the outlet valve.

Common fault analysis

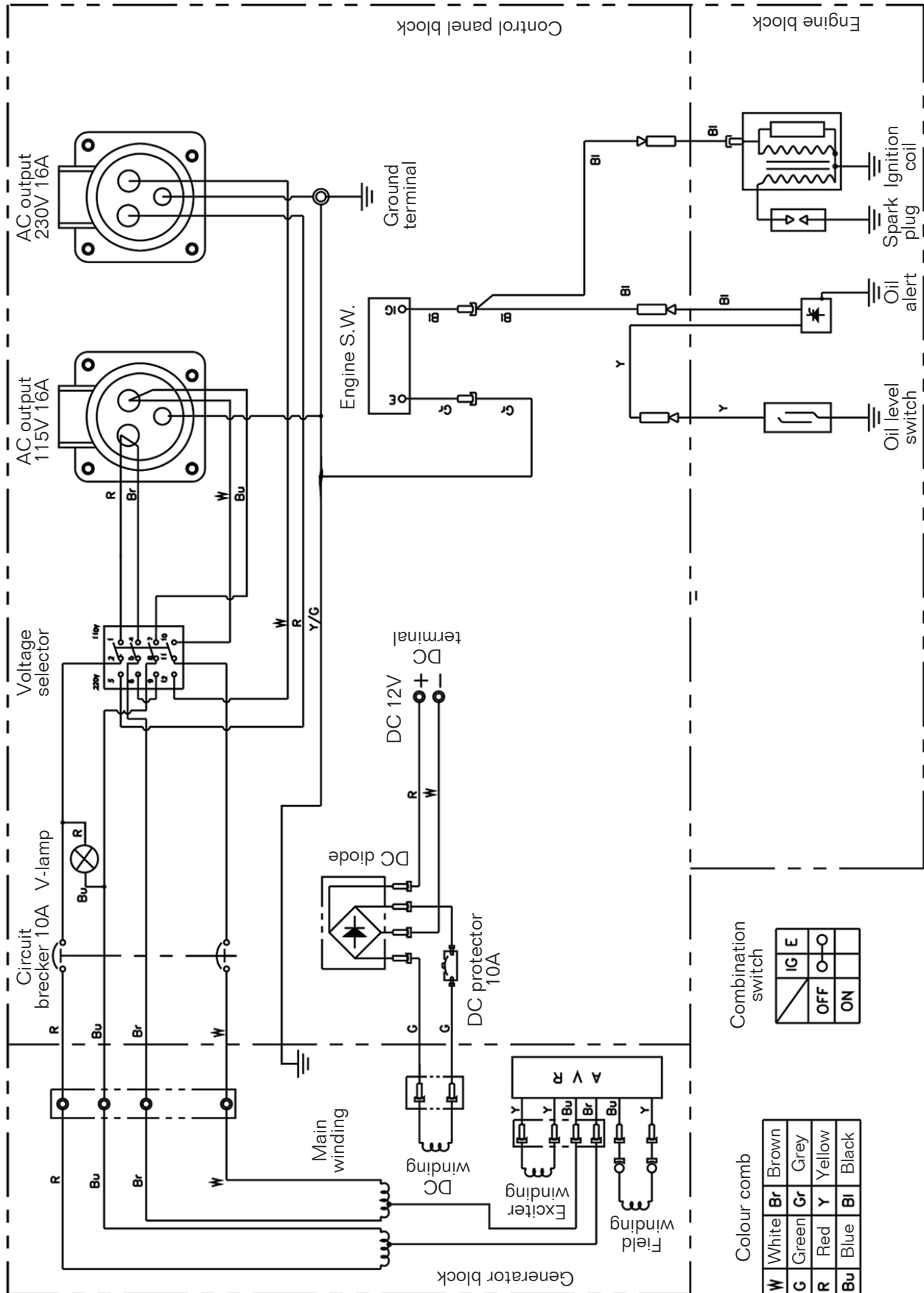
Fault phenomenon	Fault cause	Operation method
The generator can not start	No fuel	Fill the oil tank with gasoline
	The oil switch is not turned on	Turn the oil switch to ON
	The oil switch is blocked	Clean the oil cup (refer to page 11)
	No engine oil or the engine oil level is low	Add oil
	The shutdown switch is turned off	Turn the switch to the "on" position
	The spark plug fails	Clean or replace the spark plug (refer to page 11)
No power output	The circuit breaker is not connected	Turn the circuit breaker to the "on" position
	The plug is poorly contacted	Replace a socket
Vibration while operation	The choke position is incorrect	Move the choke to the "on" position during operation
Vibration while operation	The temperature of the engine is too low	Let the engine run at empty load for more than 10 min.
	The fuel oil is contaminated	Replace clean oil
The generator emits black smoke	The air filter is dirty	Clean the filter element to the air filter
	The load is too high	Reduce load to the rated limit
The generator emits blue smoke	The engine oil is too much	Drain some oil
	The engine oil type is incorrect	Choose appropriate engine oil type (refer to page 6)
The power decreases	The spark plug fails	Clear or replace the spark plug (refer to page 11)
	The valve clearance is out of limits	Adjust the valve clearance (refer to page 11)

- The environmental requirements of the generator:
- Suitable temperature: -15° C -40° C.
- Suitable humidity: lower than 95%
- Suitable altitude: under 1,000 meters (it should be used with lower power in districts higher than 1,000 meters).
- The generator set can only be loaded to the rated power under the specified environment conditions. If the environment conditions are inconsistent with the above standards, or if the cooling conditions of the engine and generator set are defective; for example, when running in limited areas, it is necessary to reduce the power. It is also necessary to reduce the power when the temperature, altitude and relative humidity exceed the standards.
- If there is no problem with the conditions above, please turn to the nearby dealer or after-sales service center for consultants.

ELECTRICAL SCHEMATIC DIAGRAM



- Electrical schematic diagram 1
110V/220V, 115V/230V, 120V/240V (applicable to KN GEN-30)



Combination switch

IG	E
OFF	O-O
ON	

Colour comb

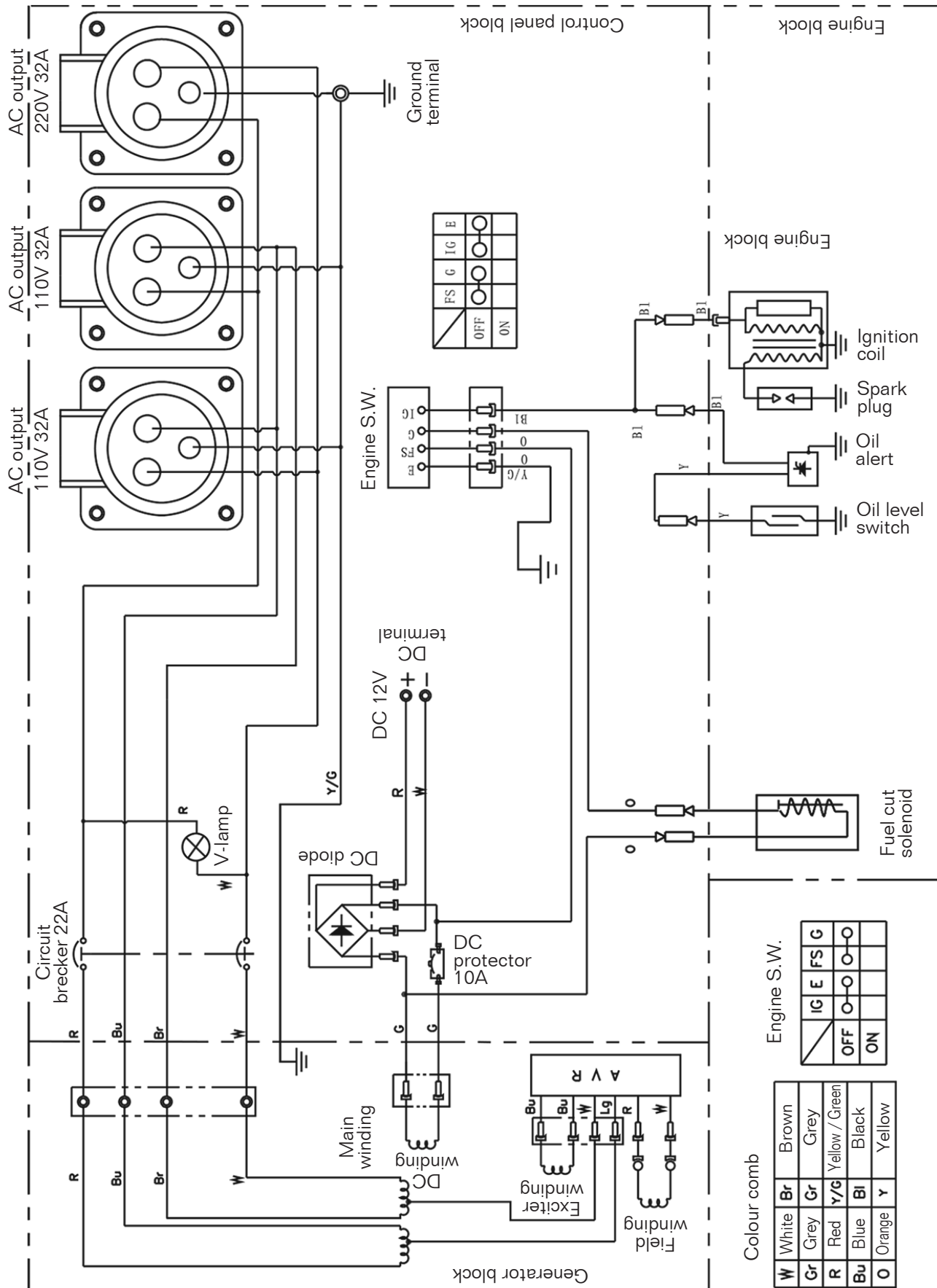
W	White	Br	Brown
G	Green	Gr	Grey
R	Red	Y	Yellow
Bu	Blue	Bl	Black

ELECTRICAL SCHEMATIC DIAGRAM

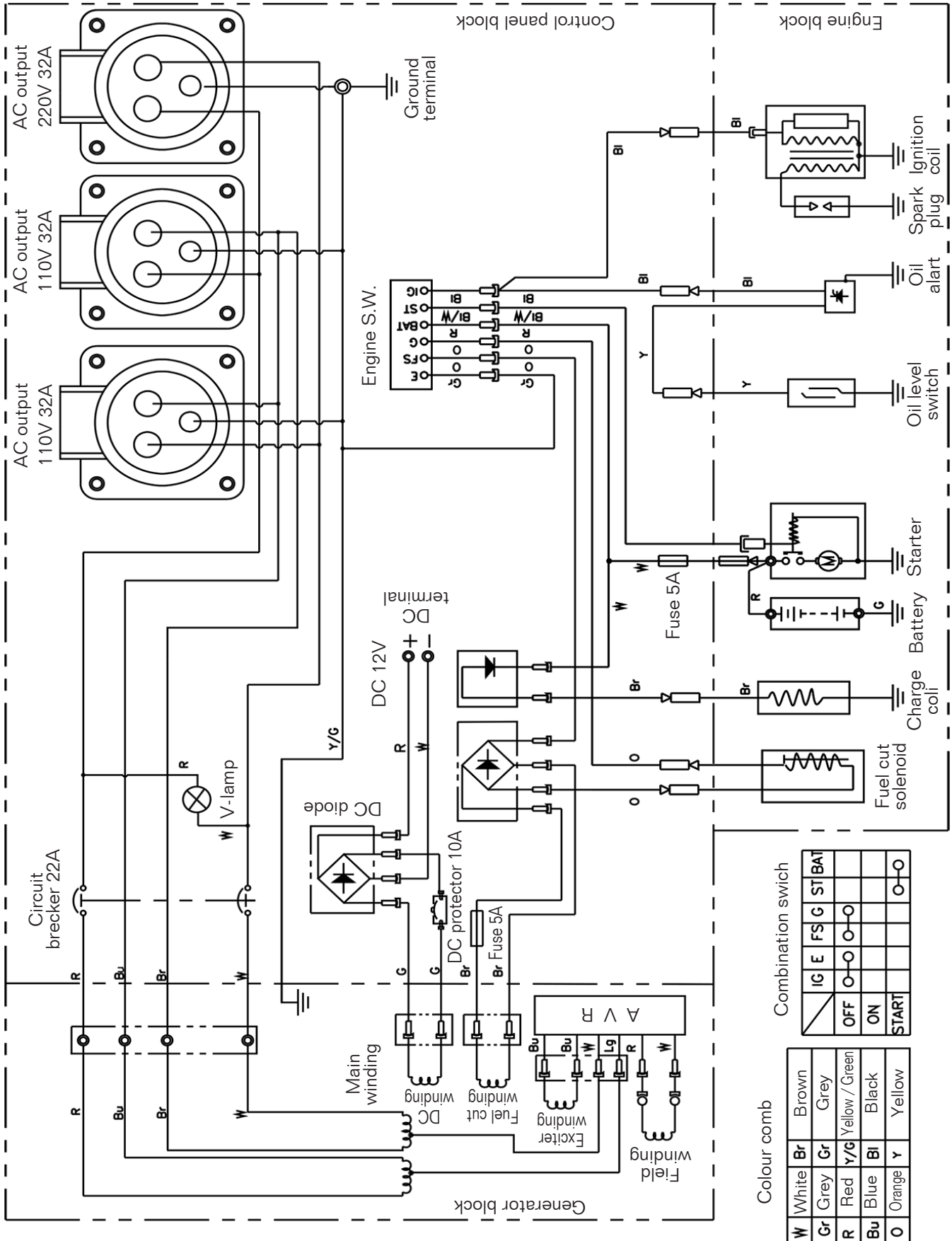


• Electrical schematic diagram 2

110V/220V, 115V/230V, 120V/240V (applicable to KN GEN-65)



- Electrical schematic diagram 3
110V/220V, 115V/230V, 120V/240V (applicable to KN GEN-80)



Combination switch

IG	E	FS	G	ST	BAT
OFF	ON	ON	ON	ON	ON
START					

Colour comb

W	White	Br	Brown
Gr	Grey	Gr	Grey
R	Red	Y/G	Yellow / Green
Bu	Blue	Bl	Black
O	Orange	Y	Yellow

Indice	16	Método de operación	21
Introducción	16	Transportando	23
Precauciones de seguridad	16	Instalación de accesorios	23
Regulaciones de seguridad	16	Potencias de aparatos comunes	24
Glosario	18	Mantenimiento	25
Parámetros	19	Diagrama esquemático eléctrico	28
Descripción de repuestos	19		

INTRODUCCIÓN

Gracias por comprar un generador. Este dispositivo de refrigeración por aire, accionado por motor de gasolina, es un generador doméstico de estructura compacta y alto rendimiento. Es aplicable a la situación de falta de suministro eléctrico o corte repentino del suministro eléctrico.

Recomendamos que el operador lea detenidamente este manual antes de usar este generador y que comprenda completamente todos los requisitos y procedimientos operativos relacionados con el generador. Si tiene alguna pregunta sobre este manual, comuníquese con el distribuidor autorizado más reciente para el programa de puesta en marcha, operación, mantenimiento, etc. El técnico le enseñará a utilizar el generador de forma correcta y segura. También recomendamos que el operador consulte el procedimiento de puesta en marcha y funcionamiento de este generador al comprarlo.

PRECAUCIONES DE SEGURIDAD

Este generador funcionará de manera segura, efectiva y confiable solo cuando se, opere y mantenga adecuadamente. Antes de la operación o mantenimiento del generador, el operador debe:

- Conozca bien y observe estrictamente las leyes y reglamentos locales.
- Lea y observe todas las advertencias de seguridad en este manual y en el dispositivo.
- Deje que su familia se familiarice con todas las advertencias de seguridad de este manual.

Es imposible para los fabricantes predecir todas las circunstancias peligrosas que pueden ocurrir, por esta razón, las advertencias en este manual y las señales de precaución en el grupo electrógeno pueden no cubrir todas las circunstancias peligrosas. Si no brindamos precauciones adicionales para los procedimientos, métodos o técnicas de operación, opere el generador de tal manera que ayude a garantizar la seguridad personal, asegúrese de que no se produzcan daños al grupo electrógeno.

Para garantizar un funcionamiento seguro, lea atentamente tres advertencias de seguridad vitales en este manual y en el generador, precedidas por un símbolo de alerta de seguridad e incluyendo: :

PELIGRO SERÁ MUERTO o GRAVEMENTE HERIDO si no sigue las instrucciones.

PRECAUCIÓN PUEDE SER HERIDO si no sigue las instrucciones.

ADVERTENCIA SERÁS MUERTO o GRAVEMENTE DAÑO si no sigue las instrucciones.

NOTICIA Su generador u otra propiedad podría dañarse si no sigue las instrucciones.

REGULACIONES DE SEGURIDAD



PELIGRO
No lo use en interiores.



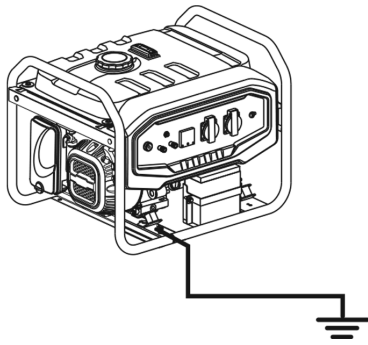
ADVERTENCIA
No lo use en condiciones húmedas.



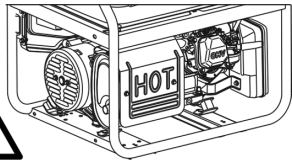
PELIGRO
Mantenga la máquina limpia y evite derramar combustibles, incluida la gasolina, sobre ella.



ADVERTENCIA
No lo conecte a un sistema de energía doméstico.



ADVERTENCIA
Debe realizar una puesta a tierra segura.



ADVERTENCIA
La superficie del generador tiene alta temperatura, evite quemaduras. Preste atención a las advertencias en el grupo electrógeno.

PELIGRO

Información general de seguridad

- El operador debe ponerse el equipo de protección personal durante la operación y el mantenimiento.
- Los trabajos de instalación y reparación mayor deben ser realizados únicamente por personal específicamente capacitado.
- No utilice el generador bajo tierra.
- No utilice el generador en condiciones explosivas.

PELIGRO

El generador produce suficiente energía eléctrica para causar una descarga grave o electrocución si se usa incorrectamente.

- Está prohibido usar cable pelado para conectar la fuente de alimentación al equipo eléctrico directamente, use el enchufe que cumpla con las normas locales.
- Durante el funcionamiento del equipo, no toque los cables ni las partes vivas del equipo. Nunca toque la máquina con las manos mojadas o se producirá una descarga eléctrica.
- Durante la operación del equipo, mantenga a los niños a cierta distancia segura del generador.
- En la operación del equipo, prohíba estrictamente el montaje y desmontaje de cualquier pieza.
- Se sugiere realizar la conexión en tándem de un interruptor de circuito de falla a tierra (GFCI) cuando la fuente de alimentación está cortada para garantizar la seguridad.
- Externa accesorio eléctrico (incluido el cable y la pieza de interconexión del enchufe) no debe tener fallas. La protección contra descargas eléctricas depende del disyuntor, especialmente de la coincidencia entre el disyuntor y el generador. Durante el reemplazo del interruptor, solo se puede adoptar uno con las mismas características nominales y de rendimiento. Póngase en contacto con los distribuidores locales o el centro de servicio postventa para obtener asistencia.
- En caso de usar un cable de extensión o un gabinete de distribución de energía móvil, la longitud total del cable con una sección transversal de 1.5 mm² no debe ser mayor a 60 m, y la de 2.5 mm² no debe ser mayor a 100 m.
- Evite conectar el generador en paralelo con cualquier otro generador.

PELIGRO

El combustible de la máquina es inflamable, lo que generará altas temperaturas y provocará incendios fácilmente durante el funcionamiento.

- Está terminantemente prohibido agregar combustible durante la operación del equipo.
- En caso de agregar combustible, manténgase alejado de la marca de neumáticos, no fume.
- En caso de agregar combustible, no derrame combustible sobre el equipo.
- En caso de derrame accidental, use un paño de algodón para limpiarlo. Arranque el equipo después de que el combustible derramado se evapore por completo.
- En funcionamiento, asegúrese de que no haya ninguna sustancia inflamable dentro de un rango de 2 metros y que ninguna sustancia inflamable se acerque al equipo. Evite colocar cualquier material inflamable cerca de la salida de escape durante el funcionamiento.
- En caso de no uso a largo plazo, saque el combustible del tanque de combustible y guárdelo de manera segura.
- Si traga combustible, inhala vapor de combustible o le entra en los ojos, consulte a su médico de inmediato. Si se derrama combustible sobre la piel o la ropa, lávese inmediatamente con agua y jabón y cámbiase de ropa.
- Cuando opere o transporte la máquina, asegúrese de que se mantenga en posición vertical. Si se inclina, es posible que se escape combustible del carburador o del tanque de combustible.
- No arroje los residuos de combustible y aceite de motor usado a la basura ni los vierta en el suelo. Le sugerimos que lleve el aceite usado en un recipiente sellado a su centro de reciclaje o estación de servicio local para su recuperación.

PRECAUCIÓN

Este equipo contiene piezas giratorias de alta velocidad que dañarán el cuerpo humano.

- En funcionamiento del equipo, no se acerque y prohíba estrictamente tocar las piezas giratorias.
- En funcionamiento del equipo, no lo levante ni lo mueva. Muévelo solo después de que el equipo se haya detenido por completo.
- Durante la operación del equipo, observe el entorno. Asegúrese de que no haya artículos involucrados en el equipo.

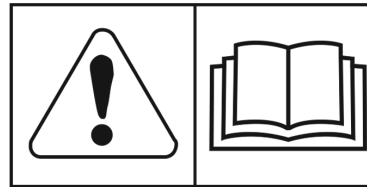
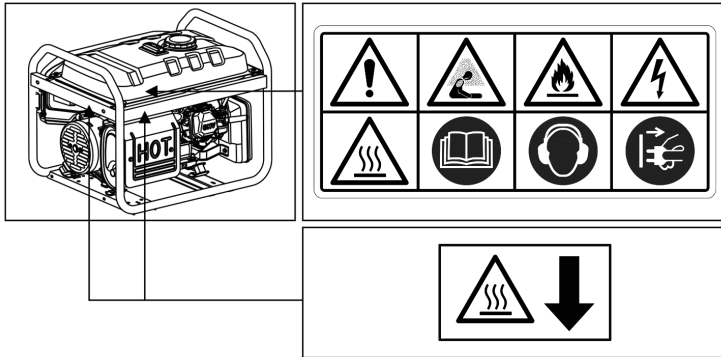
NOTICIA Requisitos operativos

- No coloque peso pesado sobre el equipo.
- La rueda es para facilitar el movimiento del equipo. No lo use para mudanzas de larga distancia, de lo contrario se dañará.
- No exceder la potencia nominal del equipo en funcionamiento; de lo contrario, su vida útil se acortará. La potencia de los electrodomésticos comunes se muestra en las páginas 24 y 25 en detalle.
- Mantenga el equipo de acuerdo con los requisitos para prolongar su vida útil. Consulte la página 25 para obtener más detalles.
- Evite que el conducto entre en el equipo durante la operación o el almacenamiento.

ADVERTENCIA

- Una advertencia recordando al usuario que debe cumplir con las normas de seguridad eléctrica aplicables al lugar donde se utilizan los grupos electrógenos.
- Una advertencia sobre los requisitos y las precauciones que debe respetar el usuario en caso de realimentación mediante grupos electrógenos de una instalación, en función de las medidas de protección existentes en dicha instalación y la normativa aplicable.

Hay una etiqueta de advertencia en la máquina para recordarle las normas de seguridad.

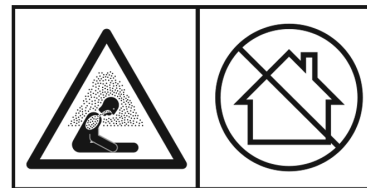


Lea las instrucciones de seguridad antes de utilizar el generador.



Solo llene el generador en áreas bien ventiladas y manténgalo alejado de llamas abiertas, chispas y cigarrillos. El combustible derramado debe limpiarse inmediatamente.

Apague el motor y deje que se enfríe antes de llenar el generador. El combustible es fácilmente inflamable e incluso puede explotar en determinadas circunstancias.



Durante el funcionamiento se producen gases como el monóxido de carbono (gas incoloro e inodoro) que pueden provocar asfixia. Solo use el generador en áreas bien ventiladas.

GLOSARIOS

Glosarios

Los siguientes símbolos se citan en la máquina o en este manual. Por favor, comprenda su significado, lo que hará que su operación sea más fácil y segura.

Símbolo	Nombre	Significado
V	Voltio	Voltaje.
A	Amperio	Corriente.
Hz	Hercios	Frecuencia (1Hz=60 r/min).
W	Vatio	Energía.
RPM	Revoluciones por minuto	Velocidad del motor.
PF	Factor de potencia	Eficiencia de transferencia de carga.
G1	Tasa de rendimiento	Tasa de rendimiento de potencia de salida del generador ISO8528G1.
	Leer instrucciones	Por favor, lea las instrucciones cuidadosamente antes de usar.
	Advertencia de seguridad	Puede lastimarse si no sigue las instrucciones.
	Riesgo eléctrico	Indicación de cuerpo electrificado. Preste atención a la seguridad.

Símbolo	Nombre	Significado
	Gas tóxico	Los gases de escape del equipo contienen CO, que es invisible e inodoro. La inhalación excesiva de CO puede hacer que el ser humano pierda el conocimiento y provocar la muerte en situaciones graves.
	Descarga eléctrica	Este es un dispositivo eléctrico. Puede sufrir una descarga eléctrica si no sigue las instrucciones.
	Energizado, no tocar	El dispositivo es electrificado. Sin tocar durante el funcionamiento.
	Fuego	El combustible y la alta temperatura generada durante el funcionamiento pueden provocar un incendio. Opérelolo con cautela.
	Escaldada	Algunas partes del equipo generarán altas temperaturas durante el funcionamiento, lo que escaldará la piel.
	Puesta a tierra	Haga que la máquina realice una conexión a tierra segura antes de su uso.
	Sin lluvia	No utilice el enchufe o el aparato eléctrico bajo la lluvia ni los moje.
	Aceite de motor	El símbolo de agregar el aceite de motor se especifican en la página 21.
	Gasolina	Símbolo de añadir el combustible, que debe ser gasolina.

Parámetros

Modelo	KN GEN-30 (3,000 W)	KN GEN-65 (6,500 W)	KN GEN-80 (8,000 W)
Salida de CA			
Frecuencia	50 / 60 Hz (sujeto a la etiqueta del parámetro en el equipo)		
Voltaje	110/115V / 120/220V / 230V/240V (sujeto a la etiqueta del parámetro en el equipo)		
Potencia nominal (kW) ◆	2.3 / 2.5 †	5.0	6.0 / 6.5 †
Máxima potencia (kW) ●	2.5 / 2.8 †	5.5	6.5 / 7.0 †
Motor			
Especificación	Monocilíndrico, refrigeración por aire forzado, 4 tiempos		
RPM	3,000(50 Hz) / 3,600(60 Hz) (sujeto a la etiqueta del parámetro en el equipo)		
Combustible	Gasolina		
Capacidad de aceite del motor	0.6 L	1.1 L	1.1 L
Tipo de bujía	F7TC / F7RTC (N9YC / RN9YC)		
Juego de bujías	0.7 mm		
Juego de válvulas (entrada/salida)	0.10 / 0.15 mm		
Modo de encendido	T.C.I.		
Modo de inicio	Comienzo de retroceso / Arranque eléctrico		
Desplazamiento	196 cc	389 cc	420 cc
Peso (solo como referencia)			
Peso neto	46 / 48 kg *	79 / 81 kg *	83 / 85 kg *
Dimensiones totales (excluyendo la caja de embalaje)			
largo x alto x fondo (mm)	590 x 475 x 462	681 x 546 x 550	681 x 546 x 550
Capacidad del tanque de combustible	15 L	25 L	25 L
Ruido (según Directiva Europea 2000/14/EC con enmienda 2005/88/EC)			
Nivel de presión sonora medido	74 dB (A)	75 dB (A)	75 dB (A)
Nivel de potencia de sonido medido	94 dB (A)	95 dB (A)	95 dB (A)
Incertidumbre	2 dB (A)	2 dB (A)	2 dB (A)
Nivel de potencia de sonido garantizado	96 dB (A)	97 dB (A)	97 dB (A)

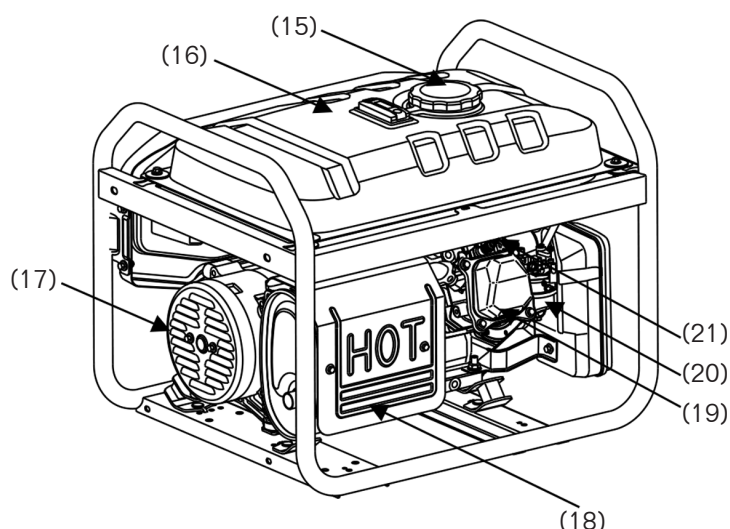
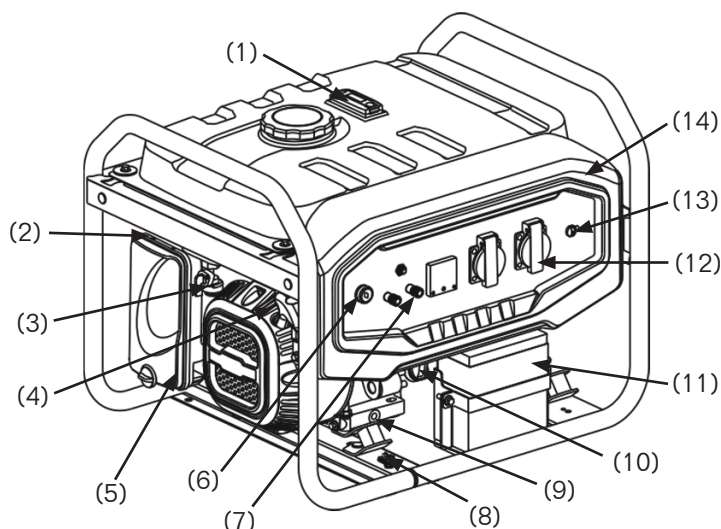
◆ Para un funcionamiento continuo, no exceda la potencia nominal.

● Limite la operación que requiere potencia máxima a 30 minutos.

† 2,8/3,0 significa: 2,8 kW con 50 Hz, 3,0 kW con 60 Hz.

* 37/39 kg significa: El peso neto es de 37 kg para arranque manual. El peso neto es de 39 kg para arranque eléctrico.

DESCRIPCIÓN DE REPUESTOS

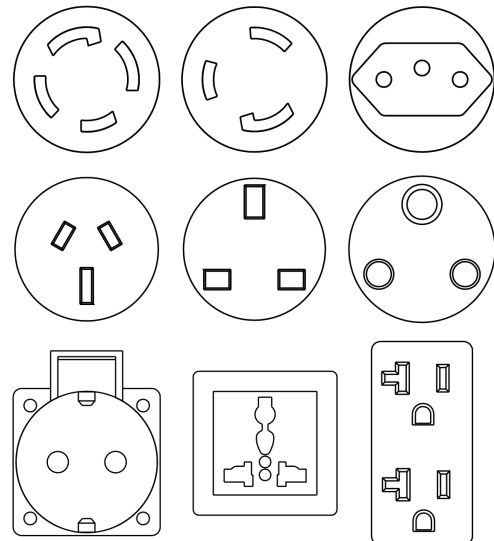


- | | | |
|---------------------------------------|--------------------------------|--------------------------------------|
| (1) Indicador de combustible | (8) Terminal de tierra | (15) Tapa del tanque de combustible |
| (2) Válvula de estrangulamiento | (9) Perno de drenaje de aceite | (16) Tanque de combustible |
| (3) Palanca de válvula de combustible | (10) Tapa del filtro de aceite | (17) Cubierta, extremo del generador |
| (4) Empuñadura de arranque | (11) Batería (opcional) | (18) Silenciador |
| (5) Filtro de aire | (12) Salida de CA | (19) Cabeza de cilindro |
| (6) Interruptor del motor | (13) Indicador de salida | (20) Carburador |
| (7) Salida de CD | (14) Asiento panelado | (21) Bujía |

Tanque de combustible	Se utiliza para contener combustible, solo se permite gasolina.
Tapa de tanque de combustible	Atornille el puerto de inyección de combustible en uso y no lo abra en funcionamiento del equipo.
Indicador de combustible	Es para indicar el nivel de combustible en el tanque de combustible.
Salida de CA	El enchufe de salida de CA proporciona la fuente de alimentación. Consulte la tabla de parámetros del modelo para conocer su potencia nominal. la carga de cada enchufe no puede exceder su corriente nominal, y la potencia total del dispositivo eléctrico no puede superar la potencia nominal del generador. No ponga en marcha varios dispositivos eléctricos simultáneamente, pero encienda otro después de una operación estable de un dispositivo eléctrico.
Disyuntor de CA	Se romperá para proteger el dispositivo eléctrico cuando la corriente sea demasiado pesada.
Indicador de salida	Es para indicar el estado de la fuente de alimentación. La indicación se iluminará cuando el equipo funcione.
Salida de CD	La salida CD es de 12 V con un máximo de 8,3 A. Solo se utiliza para cargar baterías de automóviles con 12 V nominales. Preste atención a conectar correctamente el electrodo positivo y negativo.
Interruptor del motor	Es para arrancar (aplicable solo al arranque eléctrico) y apagar el motor. Gire al estado de apagado en no uso.
Rueda (opcional)	Es para mover el generador en poco tiempo.
Batería (opcional)	Es para poner en marcha el generador. En caso de no uso durante tres meses, cárguelo.
Tapón del depósito de aceite	Es para medir el nivel de aceite del motor. Asegúrese de que el nivel de aceite del motor esté entre MIN y MAX en la varilla medidora de la tapa de llenado de aceite antes de usar. Se puede agregar aceite después de quitar el tapón de llenado de aceite.
Perno de drenaje de aceite	Desenrosque el perno cuando reemplace el aceite del motor. Drene el aceite de motor usado y deséchelo de manera adecuada de acuerdo con las leyes locales, evitando daños al medio ambiente.
Pie	Es para soportar el generador.

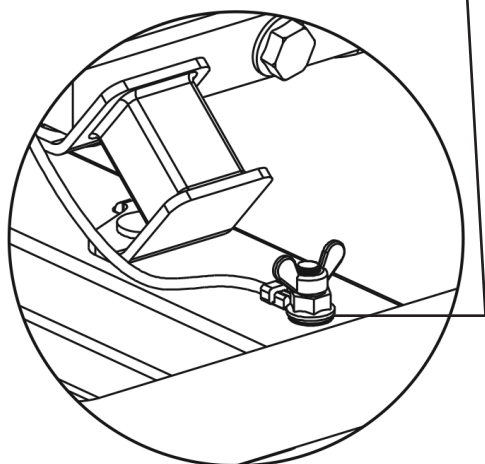
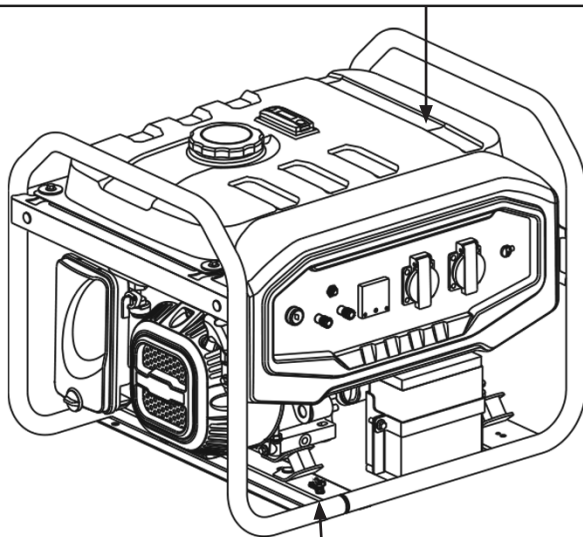
Terminal de puesta a tierra	Es para hacer que el generador realice una conexión a tierra segura. En cuanto al método de conexión a tierra, consulte la página 21. Asegúrese de que la conexión a tierra no esté obstruida antes de su uso.
Tubo pasamanos	Una vez levantada, la tubería, con estructura autoblocante, se puede utilizar para mover el generador.
Empuñadura de arranque	Es para arrancar el motor. Para conocer el método, consulte la página 22.
Filtro de aire	Es para filtrar el aire y eliminar las impurezas en el cilindro de entrada de aire. En cuanto al método de mantenimiento, consulte la página 25.
Interruptor de combustible	Es para controlar la entrada de combustible al motor a través del tanque de combustible. Si no usa el generador, deje el interruptor apagado.
Válvula de estrangulamiento	Es para controlar el flujo de aire en el cilindro al arrancar el motor. En cuanto al método de funcionamiento, consulte la página 22.
Silenciador	Es para eliminar el ruido durante la operación del equipo y descargar el escape de alta temperatura de la combustión del motor. No lo toque para evitar quemaduras.

Los enchufes pueden seguir patrones de acuerdo con las regulaciones pertinentes en varias áreas:



⚠️ ADVERTENCIA Cuando la corriente nominal de una salida de enchufe es mayor que la corriente nominal del enchufe, debe usar simultáneamente dos o más enchufes para la salida de energía.

¡LEA EL MANUAL ANTES DE OPERAR EL GENERADOR!

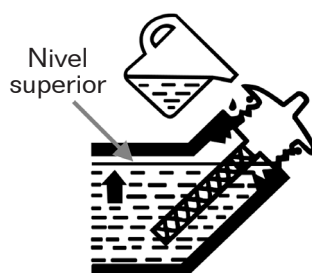
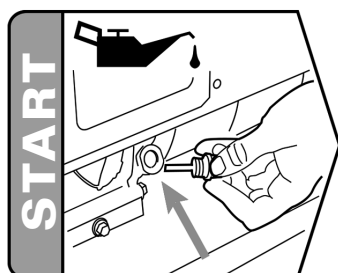


• Puesta a tierra de la unidad

Mueva la máquina al aire libre, use un cable de no menos de 2.5 mm² para conectar la máquina y el terminal de tierra a tierra. Un extremo del cable se presiona debajo de la tuerca de mariposa de la unidad, se atornilla firmemente y el otro extremo se conecta con el artículo en forma de barra de metal (como el clavo de hierro y el abridor) y se inserta en el suelo.

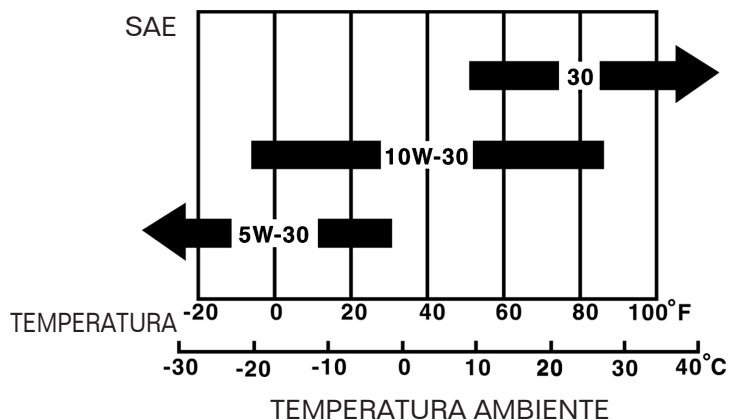
• Puesta en marcha del grupo electrógeno

Llenado de aceite

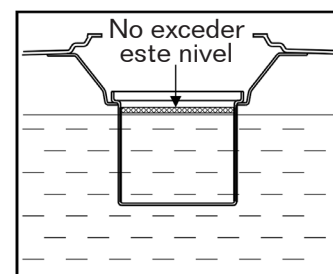
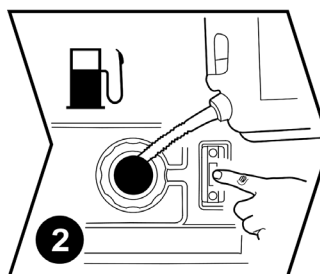


Retire la tapa de llenado de aceite, llene aceite del modelo adecuado. En cuanto a la dosificación, consulte la página 19. Utilice el embudo hasta el momento del llenado, en caso de derrame por descuido, limpie el suelo para evitar resbalones.

Tabla de especificaciones de aceite



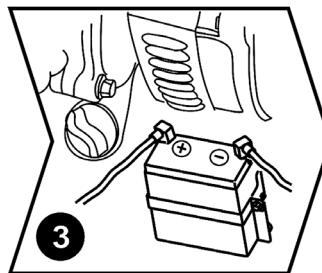
Llenado de combustible



Abra la tapa del tanque de combustible y llene gasolina, la posición del nivelador de combustible mostrará la masa de gasolina en el tanque de combustible y tenga cuidado de que la posición máxima de combustible no exceda el filtro interno del tanque al llenarlo.

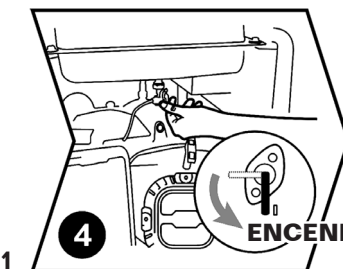
ADVERTENCIA Manténgase alejado de la fuente de fuego y la fuente de calor al llenar; no llene gasolina cuando esté operando.

Conecte la batería eléctrica (solo arranque eléctrico)



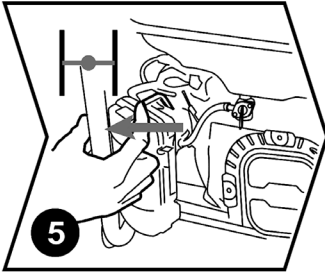
Conecte el cable de la batería de almacenamiento a la batería de almacenamiento, rojo para el electrodo positivo y verde para el electrodo negativo, y asegúrese de apretar bien la tuerca. No haga contacto entre el electrodo positivo y el electrodo negativo para evitar cortocircuitos. Después de la conexión, las partes metálicas de dos piezas de cable deben mantener una distancia de seguridad de al menos 15 mm y estar protegidas por una cubierta de goma.

Encienda la palanca de la válvula de combustible



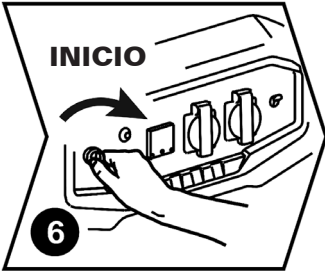
Gire la palanca de la válvula de combustible a ON y deje que el combustible fluya hacia el carburador.

Cierra la válvula de estrangulamiento



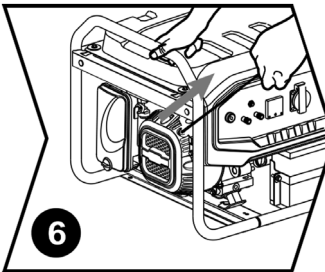
Cuando la unidad esté en estado frío, mueva la válvula de estrangulación a la posición completamente cerrada y a la posición medio cerrada en estado térmico. Si la unidad generadora no se pone en marcha dos veces seguidas, mueva la válvula de estrangulación a la posición abierta y luego accione el interruptor o el arrancador manual.

Arrancar el generador



Encienda el interruptor del motor en el panel de control. O presiónelo para ARRANCAR si es un estado de arranque eléctrico, entonces la unidad generadora puede arrancar. Para prolongar la vida útil de la batería de almacenamiento, no presione el interruptor durante más de 3 segundos y el intervalo entre dos pulsaciones debe ser superior a 10 segundos.

Comience el arranque de retroceso del generador



Comience a través del cable de tracción: tire suavemente del cable para conectar el disco al recipiente de arranque dentro de la unidad. Saque el cable en una acción instantánea y la unidad generadora se iniciará después de hacer esto dos veces. Si no se inicia, realice la operación anterior con la válvula de estrangulamiento.

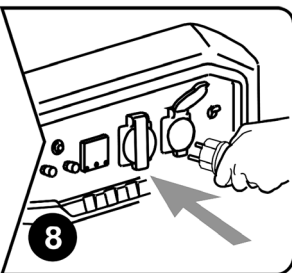
ADVERTENCIA Puede estar causando los peligros de lesiones por el cambio repentino de la dirección de rotación del motor durante el funcionamiento del arrancador de retroceso.

Abra la válvula de estrangulamiento



Después de arrancar, deje que la unidad funcione sin carga durante 5 segundos y luego encienda el interruptor de la válvula de estrangulamiento.

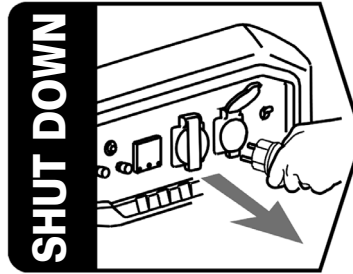
Conectar para cargar



Acceda al equipo eléctrico y encienda el disyuntor. Tenga en cuenta que cuando se utilizan varias cargas al mismo tiempo, no acceda a la siguiente a menos que la anterior esté funcionando normalmente. La potencia total de las cargas no debe exceder la potencia nominal de la unidad.

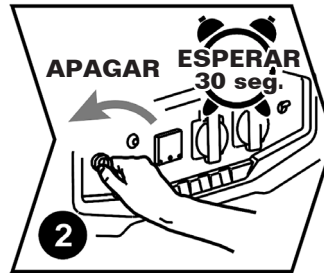
• Apague el motor

Conectar para cargar



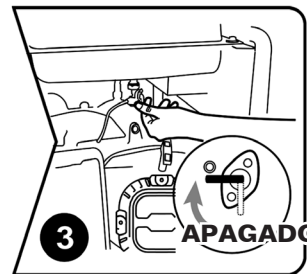
Desconecte el equipo eléctrico del panel de control del generador.

Apague el interruptor del motor



Después de 30 segundos de funcionamiento sin carga, apague el interruptor del motor y la unidad generadora se apagará inmediatamente.

Cierre la palanca de la válvula de combustible

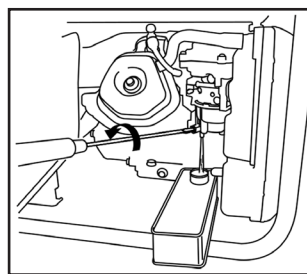


Cierre la palanca de la válvula de combustible después de apagar la unidad.

ADVERTENCIA La temperatura de la superficie de la unidad del generador sigue siendo alta después del apagado y no se puede mover ni operar antes de que se enfríe para evitar quemaduras.

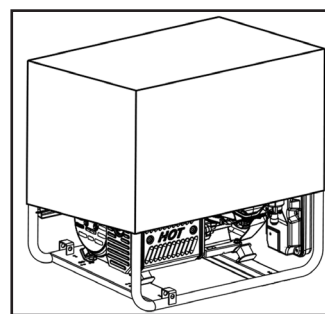
• Almacenamiento

Drene el combustible



Retire el perno de drenaje de aceite del carburador y drene el combustible del tanque de combustible y del carburador. Luego apriete el perno de drenaje de aceite nuevamente (si no se drene el combustible, el combustible se evaporará y fluirá al aire, y los residuos pueden bloquear el carburador).

Tratamiento protector



La unidad debe almacenarse en un lugar limpio y seco y debe protegerse de la lluvia y las altas temperaturas. Proteja la unidad con una caja de papel o una bolsa de plástico para evitar que entre polvo en la unidad.

• Transporte

Para evitar derrames de combustible durante el transporte o durante el almacenamiento temporal, el generador debe asegurarse en posición vertical en su posición normal de funcionamiento, con el interruptor del motor en APAGADO.

La palanca de la válvula de combustible debe estar APAGADA.

ADVERTENCIA

Al transportar el generador:

- No sobrellene el tanque
- No opere el generador mientras está en un vehículo. Retire el generador del vehículo y utilícelo en un lugar bien ventilado.
- Evite un lugar expuesto a la luz solar directa cuando coloque el generador en un vehículo. Si el generador se deja en un vehículo cerrado durante muchas horas, la alta temperatura dentro del vehículo podría hacer que el combustible se vaporice y provoque una posible explosión.
- No conduzca por un camino accidentado durante un período prolongado con el generador a bordo. Si debe transportar el generador en un camino accidentado, drene el combustible del generador de antemano.

NOTA: Para transportar el generador, sostenga la pieza de sujeción (áreas sombreadas en la figura 1).

Tenga cuidado de no dejar caer o golpear el generador durante el transporte.

No coloque objetos pesados sobre el generador.

Cuando transporte el generador cargándolo en un vehículo, asegúrelo al bastidor del generador como se muestra (vea la figura 2).

Parte de sujeción

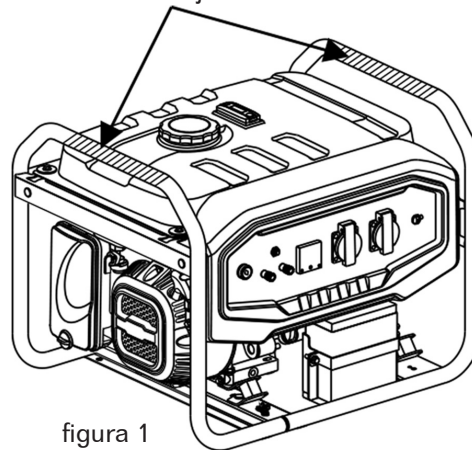


figura 1

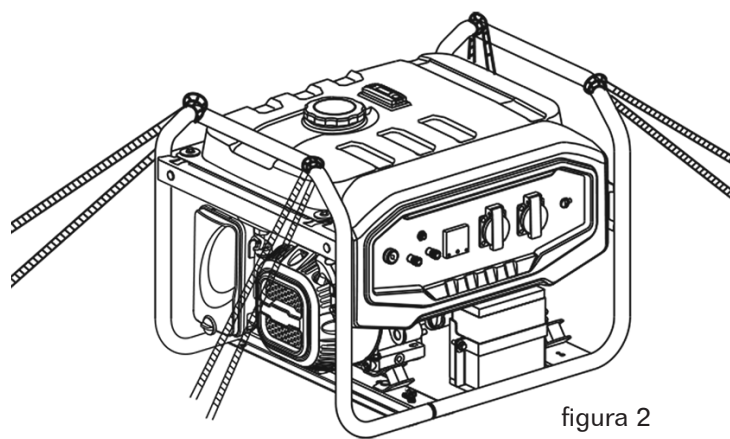


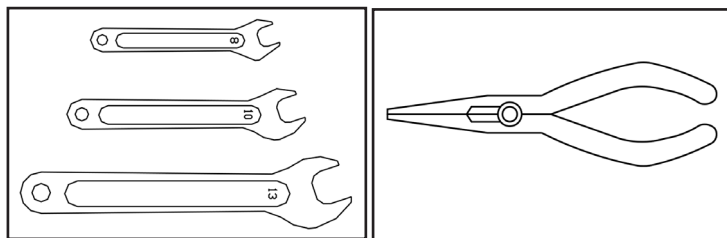
figura 2

INSTALACIÓN DE ACCESORIOS

• Instalación de accesorios

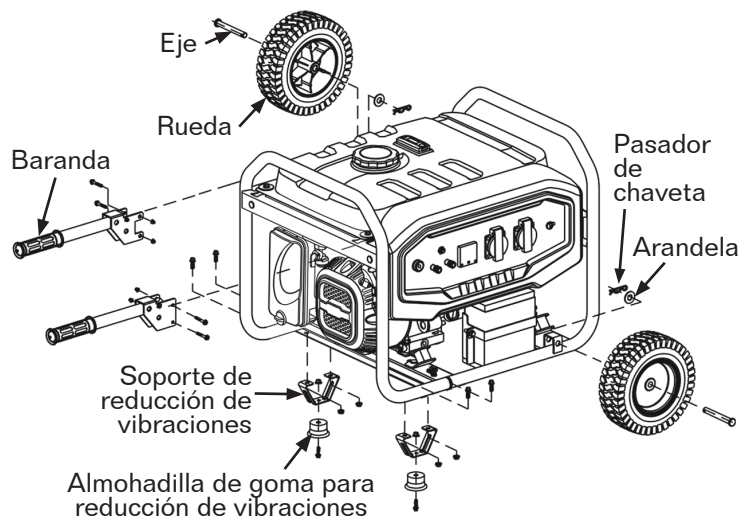
Puede instalar los conjuntos de ruedas para facilitar el traslado de la unidad.

Es posible que deba preparar el siguiente equipo antes de la instalación.

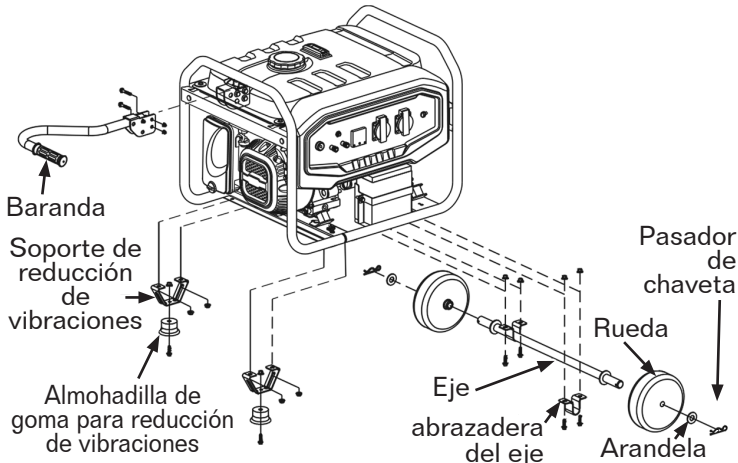


Según las diferentes configuraciones del modelo, existen varios tipos de ruedas. Instale el pasamanos, el soporte de reducción de vibraciones y la rueda en la placa base y apriete el perno como se muestra en la siguiente imagen.

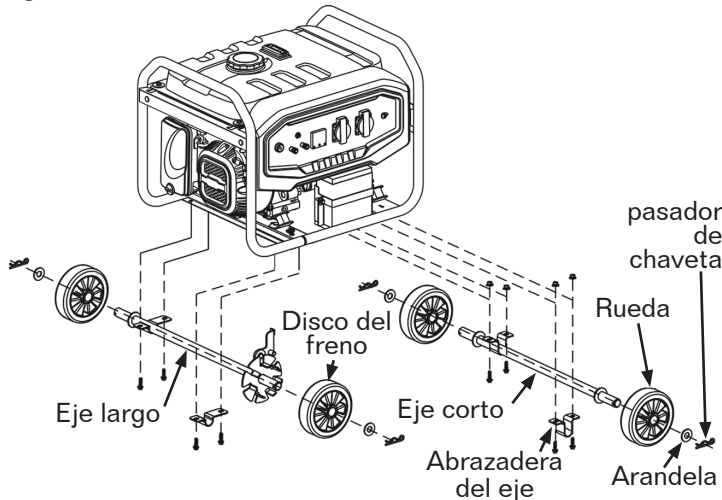
- Eje corto de dos ruedas (aplicable a unidades generadoras de KN GEN-30, KN GEN-65, KN GEN-80)



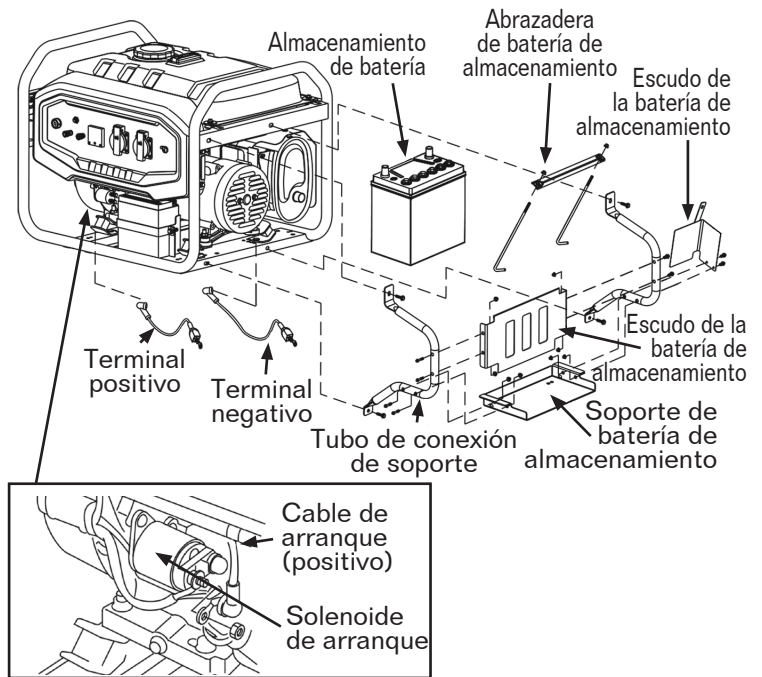
- Eje largo de dos ruedas (aplicable a unidades generadoras de KN GEN-30)



- Eje largo de cuatro ruedas (aplicable a unidades generadoras de KN GEN-65, KN GEN-80)



Algunas de las unidades, que son del tipo de arranque eléctrico, deben equiparse con un soporte de batería de almacenamiento externo. Realice la instalación de acuerdo con el siguiente dibujo.



Pasos de operación e instrucciones de instalación:

- 1 Instale el terminal positivo y el terminal negativo en la unidad de generación como se especifica en el dibujo.
- 2 Instale el soporte de la batería de almacenamiento en el tubo de conexión del soporte.
- 3 Instale el protector de la batería de almacenamiento en el tubo de conexión del soporte.
- 4 Instale el soporte ensamblado en la unidad.
- 5 Coloque la batería de almacenamiento en el soporte.
- 6 Enganche el perno de gancho en el orificio del soporte, e instálela en la abrazadera de la batería de almacenamiento.
- 7 Apriete el perno e instale la batería de almacenamiento en el soporte.
- 8 Conecte los cables de la batería de almacenamiento y conecte primero el negativo. Los terminales conectados pueden ser diferentes ya que los modelos de las baterías de almacenamiento son diferentes. Tomar objeto material como.
- 9 Algunas baterías de almacenamiento deben llenarse con electrolito antes de la instalación. Lea atentamente las especificaciones de la batería de almacenamiento.

POTENCIAS DE APARATOS COMUNES

Equipo electrico		Potencia nominal (W)	Potencia de arranque (W)
Electrodomésticos	Televisor de pantalla plana de 27"	120	120
	Foco ahorradora de energía	5 ~ 50	5 ~ 50
	Olla eléctrica	1000	1000

Equipo electrico		Potencia nominal (W)	Potencia de arranque (W)
Electrodomésticos	Computadora	400	400
	DVD	100	100
	Refrigerador	50	300

Equipo electrico		Potencia nominal (W)	Potencia de arranque (W)
Electrodomésticos	Lavadora		250 / 500
	Ventilador electrico		50 / 100
	Aire acondicionado 2HP		1600 / 3200

Equipo electrico		Potencia nominal (W)	Potencia de arranque (W)
Herramientas	Soldadora electrica		2500 / 5000
	Martillo electrico		1000 / 1500
	Bomba de agua		800 / 1200

Las potencias de arranque de los aparatos son mucho más altas que las potencias de funcionamiento. Lea las etiquetas del equipo eléctrico como referencia. La potencia total de las cargas no debe exceder la potencia nominal del generador.

MANTENIMIENTO

Mantenimiento

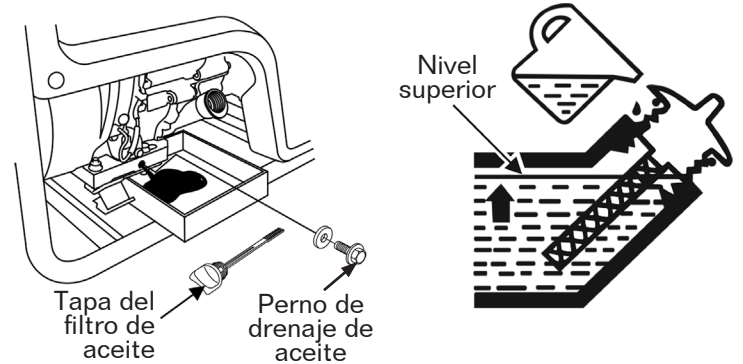
Un buen mantenimiento es la mejor garantía de un funcionamiento seguro, económico y sin averías. Y también contribuye a la protección del medio ambiente.

El programa de mantenimiento es el siguiente:

Calendario de mantenimiento regular		Por uso	Cada 20 horas o en el primer mes de uso inicial (3)	Cada 50 horas o cada 3 meses (3)	Cada 100 horas o cada 6 meses (3)	Cada 300 horas o cada año (3)
Aceite de motor	Inspeccionar el nivel de aceite	○				
	Reemplazar		○		○	
Filtro de aire	Inspeccionar	○				
	Limpiar			○ (1)		
Taza de sedimentos del interruptor de combustible	Limpiar				○	
Bujía	Limpiar				○	Reemplazar
Juego de válvulas	Reajustar					○ (2)
Cabeza de cilindro	Lavar		Cada 300 horas (2)			
Tanque de combustible y colador	Lavar		Cada 2 años (2)			
Tubo de combustible	Reemplazar		Cada 2 años (2)			

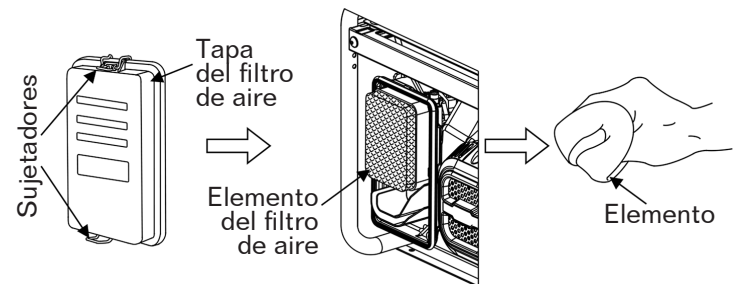
- (1) El mantenimiento debe realizarse con frecuencia si la unidad se utiliza en lugares polvorientos.
- (2) El mantenimiento debe ser realizado por el distribuidor autorizado.
- (3) Cuando la unidad se use con frecuencia, realice el mantenimiento de acuerdo con los intervalos mencionados anteriormente para garantizar el uso a largo plazo del generador.

• Reemplace el aceite del motor



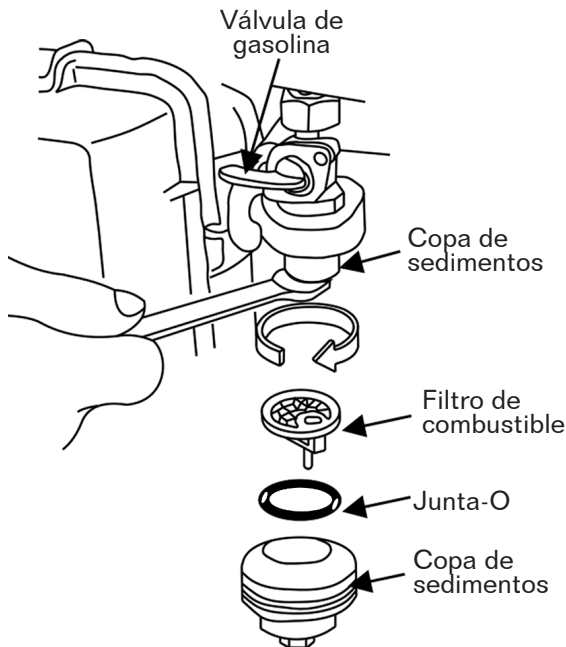
Retire el perno de drenaje de aceite y drene el aceite almacenado durante mucho tiempo. Apriete el perno de drenaje de aceite y gire la varilla de nivel de aceite. Rellene la cantidad adecuada de aceite a través de la varilla medidora de aceite y mantenga la palanca de aceite entre MIN y Max.

• Limpiar el filtro de aire



- 1 Retire el clip de la tapa del filtro de aire y ábralo.
- 2 Inspeccione el elemento limpiador y asegúrese de que esté sano y limpio.
- 3 Si el elemento limpiador de espuma está sucio, rocíe un poco de agente de limpieza doméstico sobre el elemento limpiador. Fróttalo durante varios minutos y enjuágalo con agua tibia. Si el elemento limpiador está dañado, reemplace por uno nuevo.

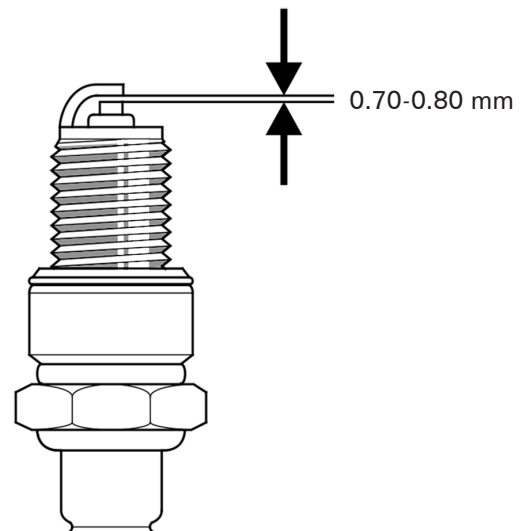
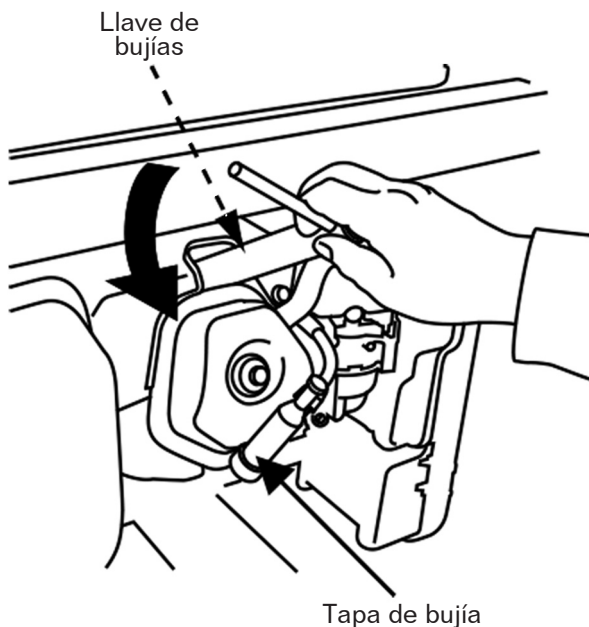
- Limpie la taza de sedimentos de la palanca de la válvula de combustible



1. Cierre la válvula de combustible y retire el recipiente de sedimentos. Saque el anillo de sello tipo O y el filtro.
2. Limpie el tazón de sedimentos, el anillo de sello tipo O y el colador con solvente incombustible o de alto grado de inflamación.
3. Vuelva a instalar el filtro y el anillo de sello tipo O, y apriete el tazón de sedimentos.
4. Abra la válvula de combustible e inspeccione si hay fugas.

- Limpiar la bujía

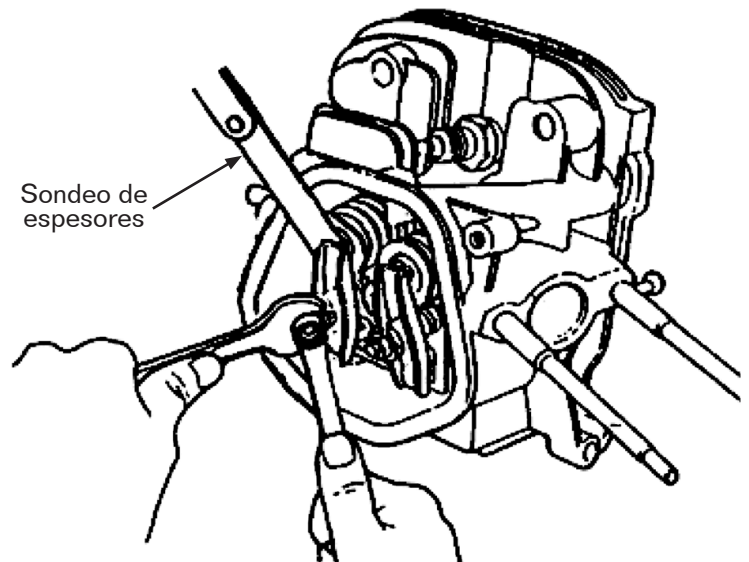
Modelos de bujías recomendados F7RTC y F7TC



1. Retire la tapa de la bujía.
2. Limpiar la base de la bujía.
3. Retire la bujía con la llave de tubo para bujías.
4. Abrir Inspeccione visualmente el aislador de la bujía en busca de daños. Si está dañado, reemplace por uno nuevo.
5. Mida el espacio de la bujía con un calibrador fap. Gire el electrodo lateral para ajustar el espacio. El espacio debe mantenerse entre 0,70 y 0,80 mm.
6. Inspeccione si la arandela de la bujía está en buenas condiciones.
7. Vuelva a instalar la bujía y apriétela con la llave de cubo para bujías. Presione hacia abajo la arandela de la bujía y coloque la tapa de la bujía.

- Juego de válvulas

(debe ser realizado por una persona profesional)



Retire la tapa de la culata y mida la holgura de la válvula con la galga de espesores. Las holguras son de 0,1 mm para la válvula de entrada y de 0,15 mm para la válvula de salida.

10.000-DC, 10.000D-DC: Las holguras son de 0,07 mm para la válvula de entrada y de 0,10 mm para la válvula de salida.

Análisis de fallas comunes

Fenómeno de falla	Causa de la falla	Método de operación
El generador no puede arrancar.	Sin combustible.	Llene el tanque de aceite con gasolina.
	El interruptor de aceite no está encendido.	Gire el interruptor de aceite a encendido.
	El interruptor de aceite está bloqueado.	Limpie la taza de aceite (consulte la página 26).
	No hay aceite de motor o el nivel de aceite del motor es bajo.	Agregar el aceite.
	El interruptor de apagado está apagado.	Gire el interruptor a la posición "encendido".
	La bujía falla.	Limpie o reemplace la bujía (consulte la página 26).
Sin salida de energía.	The circuit breaker is not connected.	Gire el disyuntor a la posición "encendido".
	El enchufe está mal conectado.	Reemplazar un enchufe.
Vibración durante la operación.	La posición del estrangulador es incorrecta.	Mueva el estrangulador a la posición "encendido" durante la operación.
Vibración durante la operación.	La temperatura del motor es demasiado baja.	Deje que el motor funcione con carga vacía durante más de 10 min.
	El aceite combustible está contaminado.	Reemplace por aceite limpio.
El generador emite humo negro.	El filtro de aire está sucio.	Limpiar el elemento filtrante del filtro de aire.
	La carga es demasiado alta.	Reducir la carga al límite nominal.
El generador emite humo azul.	El aceite del motor es demasiado.	Ecurrir un poco de aceite.
	El tipo de aceite del motor es incorrecto.	Elija el tipo de aceite de motor adecuado (consulte la página 21).
El poder disminuye.	La bujía falla.	Limpie o reemplace la bujía (consulte la página 26).
	La holgura de la válvula está fuera de los límites.	Ajuste el juego de válvulas (consulte la página 26).

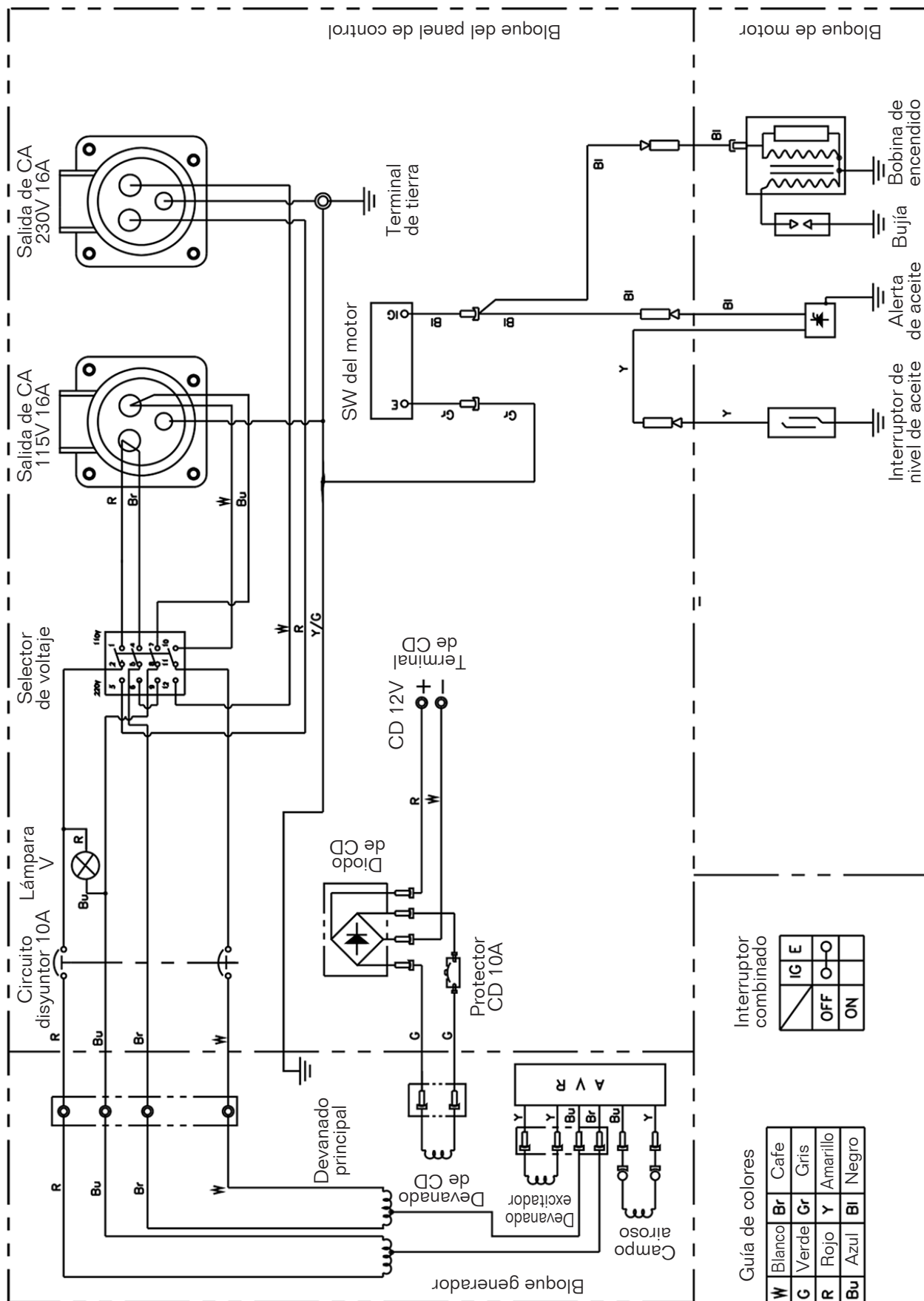
- Los requisitos ambientales del generador:
- Temperatura adecuada: -15° C -40° C.
- Humedad adecuada: inferior al 95%
- Altitud idónea: inferior a 1.000 metros (se debe utilizar con menor potencia en barrios superiores a 1.000 metros).
- El grupo electrógeno solo se puede cargar a la potencia nominal en las condiciones ambientales especificadas. Si las condiciones ambientales son inconsistentes con los estándares anteriores, o si las condiciones de enfriamiento del motor y el grupo electrógeno son defectuosas; por ejemplo, cuando se ejecuta en áreas limitadas, es necesario reducir la potencia. También es necesario reducir la potencia cuando la temperatura, la altitud y la humedad relativa superan los estándares.
- Si no hay ningún problema con las condiciones anteriores, consulte con el distribuidor más cercano o con el centro de servicio posventa.

DIAGRAMA ESQUEMÁTICO ELÉCTRICO



• Diagrama esquemático eléctrico 1

110 V/220 V, 115 V/230 V, 120 V/240 V (aplicable a KN GEN-30)



Interruptor combinado

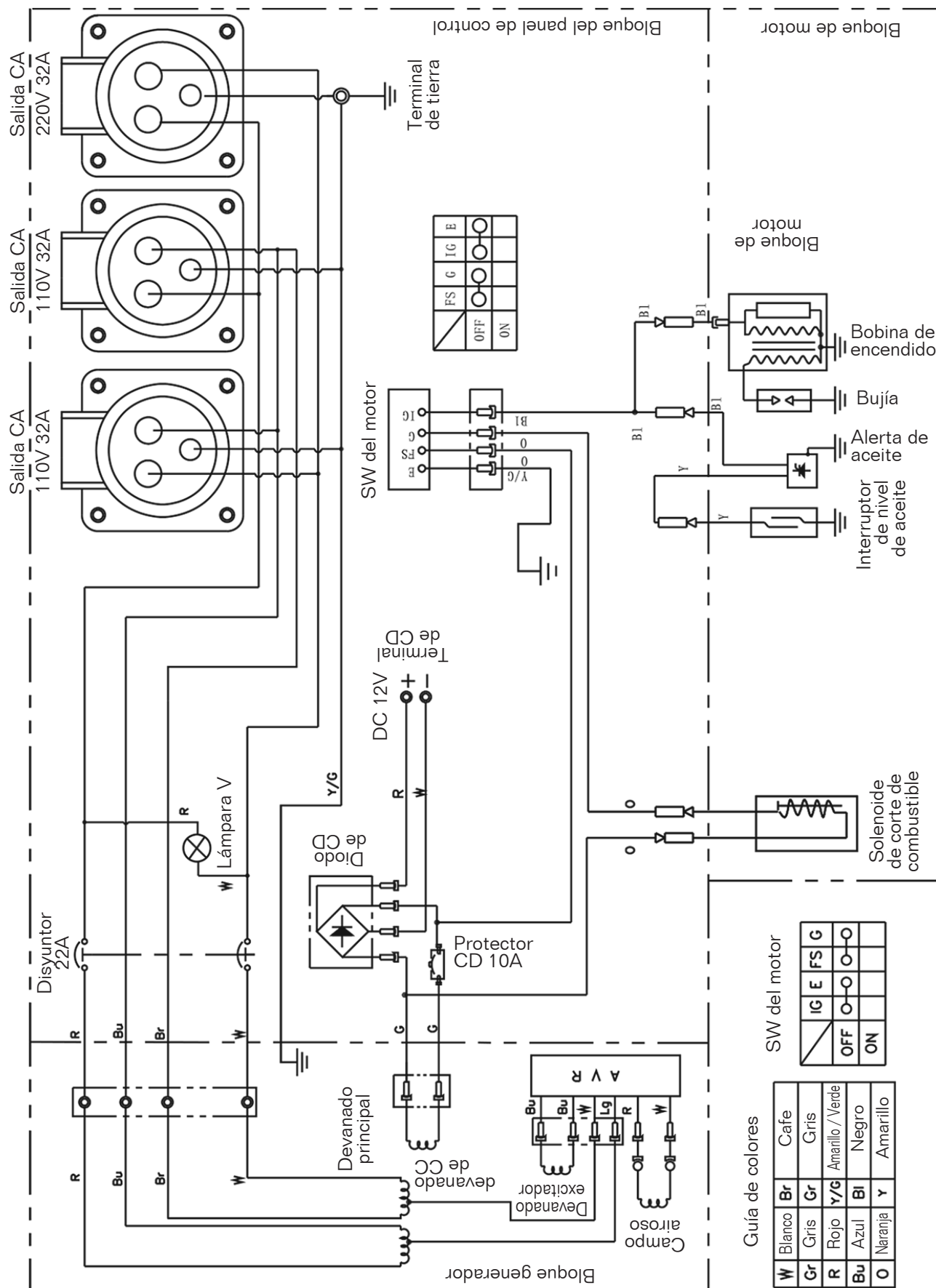
IG	E
OFF	ON

Guía de colores

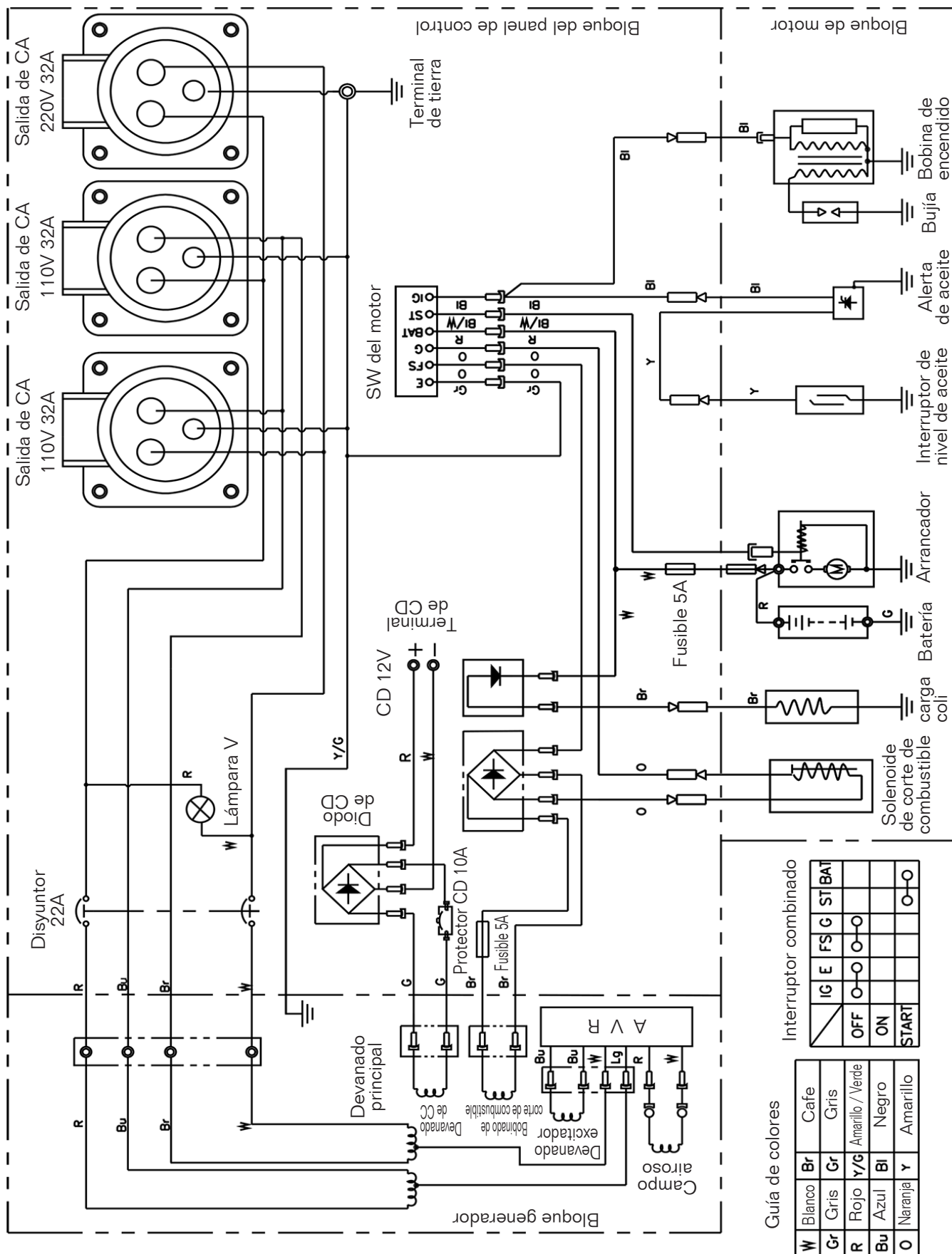
W	Blanco	Br	Cafe
G	Verde	Gr	Gris
R	Rojo	Y	Amarillo
Bu	Azul	Bi	Negro

• Diagrama esquemático eléctrico 2

110 V/220 V, 115 V/230 V, 120 V/240 V (aplicable a KN GEN-65)



- Diagrama esquemático eléctrico 3
110 V/220 V, 115 V/230 V, 120 V/240 V (aplicable a KN GEN-80)



Guía de colores

W	Blanco	Br	Cafe
Gr	Gris	Gr	Gris
R	Rojo	Y/G	Amarillo / Verde
Bu	Azul	Bl	Negro
O	Naranja	Y	Amarillo

Interruptor combinado

IG	E	F	G	ST	BAT
OFF	ON	ON	ON	ON	ON
START					



www.knova.com.mx

Herramientas para siempre.